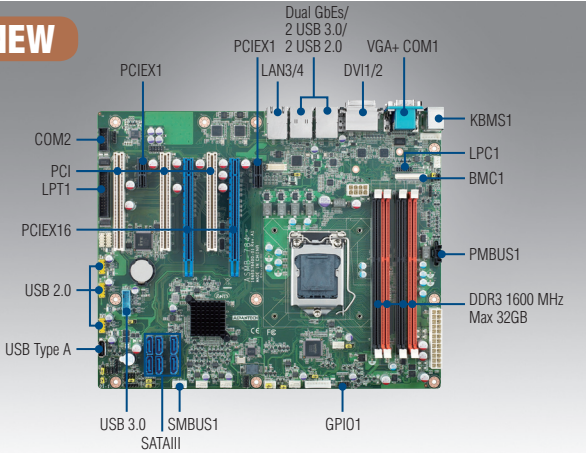


ASMB-784

LGA 1150 Intel® Xeon® E3 V3 ATX Server Board with 2 PCIe x16 slots (x8 link) or 1 PCIe x16 slot (x16 link), 3 PCI, USB 3.0, PCIe Gen III, Quad/Dual LANs

NEW



Features

- Supports LGA 1150 Intel® Xeon® E3-1200 v3 and 4th Generation Core i7/i5/i3 processors
- One Gen 3.0 PCIe x16 link or two PCIe x16 slots with x8 link, two PCIe x1 and three PCI slots
- DDR3 1600 MHz ECC/Non-ECC UDIMM up to 32GB
- Rackmount optimized placement with positive air flow design
- Support Intel vPro, AMT 9.0, IPMI (optional) and Embedded software APIs and utilities

Software APIs:



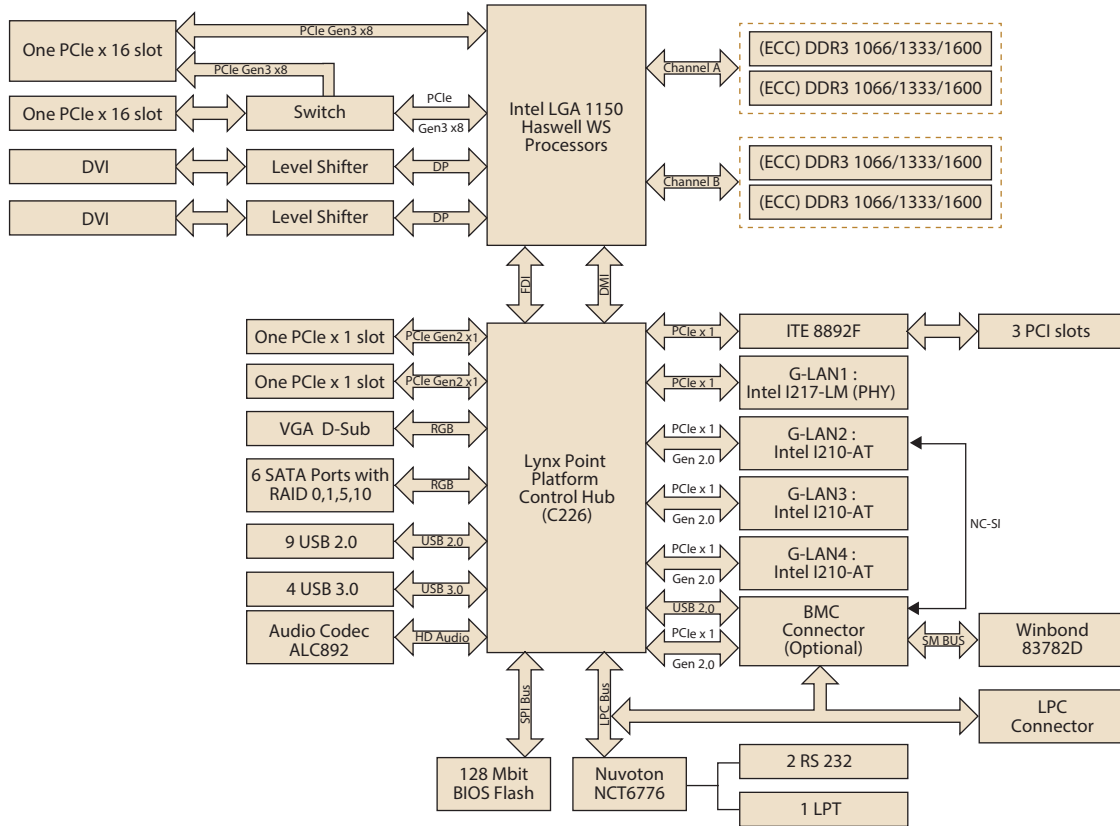
Utilities:



Specifications

Form Factor	ATX form factor													
Processor System	CPU	Xeon E3-1275 v3	Xeon E3-1225 v3	Xeon E3-1268 v3	Core i7-4770S	Core i7-4790S	Core i5-4570TE	Core i5-4590S	Core i5-4590T	Core i3-4330	Core i3-4360	Core i3-4350T	Core i3-4340TE	
	Cores	4	4	4	4	4	2	4	4	2	2	2	2	
	Speed	3.5	3.2	2.3	3.1	3.2	2.7	3.0	2.0	3.5	3.7	3.1	2.6	
	L3 Cache	8 MB	8 MB	8 MB	8 MB	8 MB	4 MB	6 MB	6 MB	3 MB	4 MB	4 MB	4 MB	
	Socket	LGA 1150												
	Chipset	Intel C226 chipset												
Memory	BIOS	AMI 128 Mbit SPI (UEFI)												
	Technology	Dual Channel DDR3 ECC/Non-ECC 1066/1333/1600 MHz (ECC function enable depends on processor supporting)												
	Max. Capacity	32 GB												
	Socket	4 x 240-pin DIMM												
Expansion Slots	Memory size	1 GB, 2 GB, 4 GB, 8 GB												
	PCI 32-bit/33 MHz	3 slots												
	PCIe x1 (Gen2)	2 slots												
	PCIe x16 (Gen3)	2 slots (One PCIe x16 link at PCIe16_SLOT6 or switching one x16 link to two x8 links when PCIe16_SLOT4 is occupied with jumper setting)												
Graphics	Controller	Intel HD Graphics												
	VRAM	1 GB maximum shared memory with 2 GB and above system memory installed												
Storage	SATA controller	Intel C226: 6 SATA3 6 Gb/s ports with Intel Matrix Storage support (for Windows only)												
	SAS controller	-												
Ethernet	Interface	10/100/1000 Mbps												
	Controller	GbE LAN1: Intel I217-LM; GbE LAN 2-4: Intel I210-AT												
	Connector	RJ-45 x 2 for G2 version; RJ-45 x 4 for G4 version												
Internal Connectors	Printer Port connector	1												
	PSU connector	24-pin SSI power connector + 8-pin SSI 12 V power connector												
	USB connector	2 USB 3.0; 7 USB 2.0 (1 x USB Type-A)												
	Fan header	5 x 4pin												
	SMBus	2												
	Chassis intruder	1												
	Front LAN LED	2												
	Serial port header	1 (RS-232)												
	Audio Connector	1 (ALC 892)												
	PS/2 KB/Mouse	1												
Rear I/O Connectors	External serial port	1												
	External USB port	4 (2 USB 3.0 and 2 USB 2.0)												
	VGA port	1												
	DVI	2												
	Display Port	-												
	RJ-45	2 for G2 version. 4 for G4 version												
	PS/2 KB/mouse	2												
Watchdog Timer	Output	System reset												
	Interval	Programmable 1 ~ 255 sec												
Power Requirement	Power On	Intel Xeon E3-1275v3 3.5GHz; DDR3 8G x4												
		3.3 V	5 V	12 V		12V_8P	5 Vsb						-12 V	
		1.17A	2.30A	0.06A		4.33A	0.16A						0.01A	
Environment		Operating						Non-operating						
	Temperature	0 ~ 60° C (32 ~ 140° F) Depends on CPU speed and cooler solution						-40 ~ 85° C (-40 ~ 185° F)						
	Humidity	0% ~ 90%						5% ~ 95% (Non-condensing)						
Physical Characteristics	Dimensions	304.8 x 244 mm (12" x 9.6")												

Block Diagram



Ordering Information

Part Number	Chipset	LAN	USB 3.0	DVI	SATAIII	IPMI
ASMB-784G2-00A1E	C226	2	4	2	6	Optional
ASMB-784G4-00A1E	C226	4	4	2	6	Optional

Packing List

Part Number	Description	Quantity
2066S78402	Driver CD	x 1
2006S78410	Startup manual	x 1
1700003194	SATA data cables	x 2
1700022749-11	SATA power cables	x 2
19Z0000502T000	I/O shield	x 1

Bracket View



ASMB-784G4-00A1E



ASMB-784G2-00A1E

Optional Accessories

Part Number	Description
1700002204	Dual port USB 2.0 cable (27 cm) with bracket
1700008461	Four port USB 2.0 cable (30.5 cm) with bracket
1960047669N001	LGA 1150/1155/1156 CPU cooler for 4U and wallmount chassis
1960052651N001	LGA 1150/1155/1156 CPU cooler for 2U and wallmount chassis
1700008809	Printer port cable kit (25 cm)
1700020294-01	Printer port cable kit (42 cm)
1701090401	COM port cable with bracket
1700020277-01	Dual port USB 3.0 cable with bracket
AIMB-AUDIO-HDA1E	HD Audio-Card
1960049408N001	LGA 1150/1155/1156 1U CPU Cooler and supports up to 73W processor
IPMI-1000-00A1E	IPMI 2.0 Module
PCA-TPM-00A1E	TPM Module with Infineon TPM 1.2 solution
19Z0000747T000	1U I/O shield

Note 1: It's a must to install PCA-TPM-00A1E for enabling Intel vPro feature.

Note 2: Purchasing ASMB-784's proprietary CPU cooler from Advantech is a must. Other brands' CPU coolers are NOT compatible with ASMB-784.