

# FPM-215W

## 15.6" WXGA Industrial Monitor with P-CAP Touch Control, Direct HDMI Port



### Features

- 15.6" WXGA TFT LED LCD with true-flat touchscreen
- 16:9 wide screen aspect ratio, increases viewing area by 40%
- Supports 10-point multi-touch control via USB interface in Windows 7/8/10 OS
- Slim design enables easy installation
- Supports various mount options: panel, wall, desktop, and VESA arm
- Touchscreen with reliable glass surface and P-CAP touch control
- Robust system with Die-casting aluminum chassis and IP66-rated aluminum alloy front bezel
- Lockable I/O connectors

### Introduction

In IIoT and Industry 4.0, more and more customers need data to be visualized to help process management and decision making. The FPM-215W is an industrial-grade, widescreen monitor with sleek, simple lines and a true-flat touchscreen. Equipped with P-CAP 10-point multi-touch control and an IP66-rated front bezel, FPM-215W is designed for intuitive operation in industrial environments such as smart factory and machine automation display applications.

### Specifications

#### General

- **Certification** BSMI, CCC, CE, FCC Class A, UL, CB
- **Dimensions (W x H x D)** 419.7 x 269 x 56.2 mm (16.52" x 10.59" x 2.21")
- **Enclosure** Front panel: Die-casting aluminium, Rear cover: Die-casting aluminium
- **Mounting** Panel, VESA arm
- **Power Input** External 60 W power adapter, with AC 100 V ~ 240 V input and DC +12 V @ 5 A output (included)
- **Video Port** HDMI
- **Weight (Net)** 4kg (8.82 lb)

#### LCD Display

- **Display Type** WXGA TFT LED LCD
- **Display Size** 15.6"
- **Max. Resolution** 1366 x 768
- **Max. Color** 16.7M
- **Viewing Angle (H/V)°** 160/160
- **Luminance (cd/m²)** 300
- **Backlight Life (hrs)** 50,000
- **Contrast Ratio** 500:1

#### Touchscreen

- **Type** Projected capacitive touch
- **Interface** USB
- **OS Support** Windows® 7, 8, 10, XPe, CE and Linux
- **Hardness** 7H
- **Multi Touch** 10 points, USB interface in Win 7/8/10, Linux

#### Environment

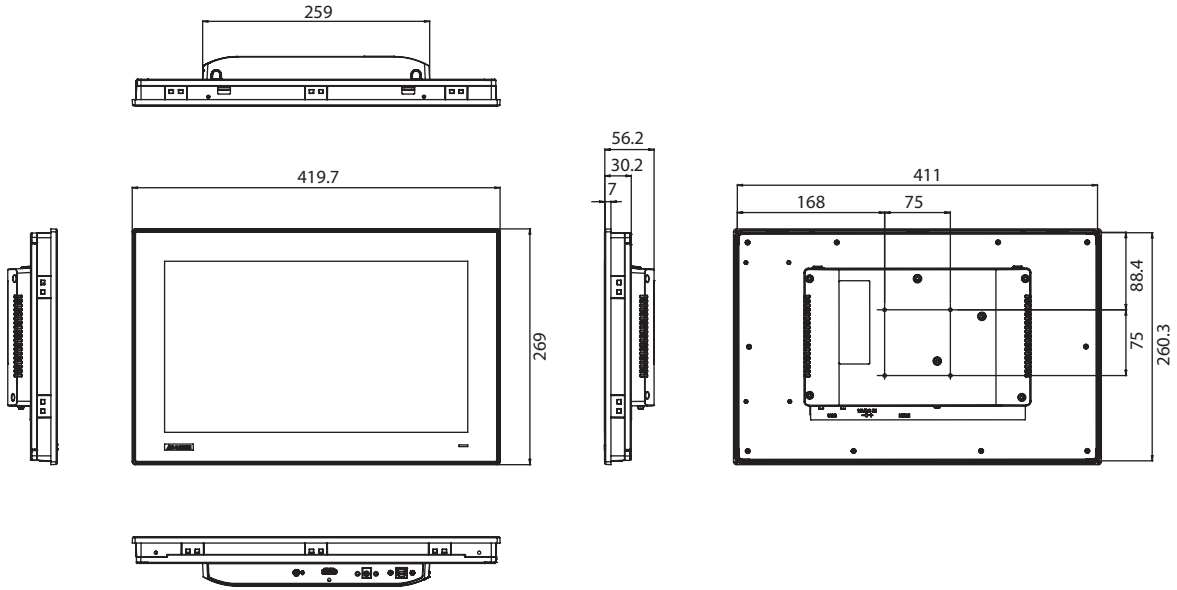
- **Operation Temperature** 0 ~ 50°C (32 ~ 122°F)
- **Storage Temperature** -20 ~ 60°C (-4 ~ 140°F)
- **Humidity (Storage)** 10 ~ 95% non-condensing
- **Waterproof** Front Panel IP66 Compliant
- **Vibration** 5 ~ 500 Hz, 1 Grms (Operating, Random)

### Ordering Information

- **FPM-215W-P4AE** 15.6" WXGA Industrial Monitor with PCAP Touch Control, Direct HDMI Input (Adapter included)
- **FPM-215W-P1AE** 15.6" WXGA Industrial Monitor with PCAP Touch Control, Direct VGA Input (Adapter included)

## Dimensions

Unit: mm



Cut-out Dimensions: 412.40 x 261.70 mm (16.24 x 10.30 in)

## Optional Accessories

- FPM-1000T-SMKE Desktop/Wall Mounting kit for FPM series
- 1702002605 Power Cable EU Plug 1.8 M
- 1702031801 Power Cable UK Plug 1.8 M
- 1700000596 Power Cable China/Australia Plug 1.8 M
- 1702002600 Power Cable US Plug 1.8 M
- 1960073687N001 Adaptor Bracket

## Front View



## Rear View

