

ITA-3630

Intel® 3rd Generation Core™ i Processor Fanless System for Road Surveillance

NEW



Features

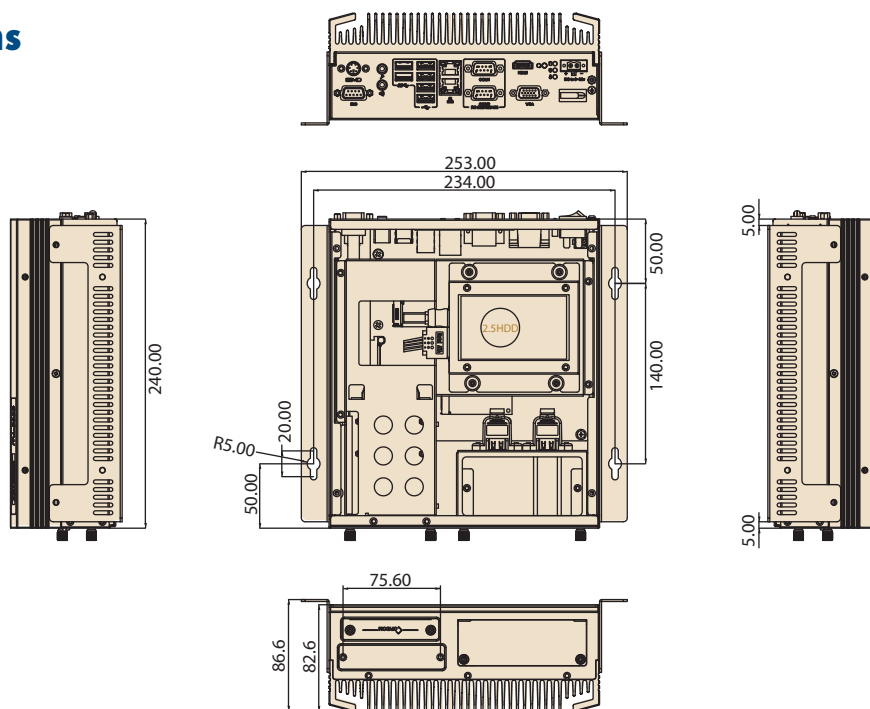
- Supports Intel® 3rd Generation Core™ i7/i5/i3 BGA type CPU
- Intel® HM76 PCH
- Support wide temperature -25° C ~ 60° C
- Supports three independent displays
- 2 x 2.5" HDD or 1 x 2.5" HDD+1 x Easy-swap CF/DOM
- Built-in fixed bracket with 2 x USB2.0 port for Dongle
- Supports 9 ~ 36V wide range DC input

Specifications

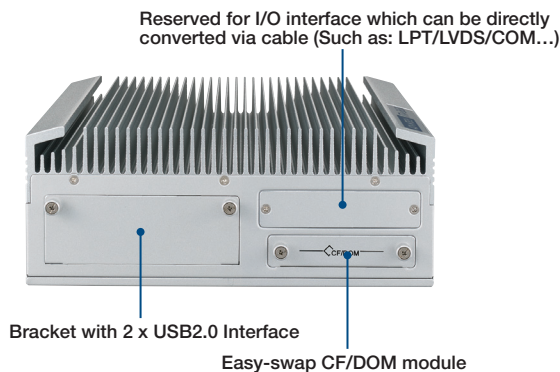
System Chipset	CPU	Intel i5-3610ME Processor	Intel i7-3555LE Processor	Intel i3-3217UE Processor
	Max Speed	2.7 GHz	2.5 GHz	1.6 GHz
	L3 Cache	4 MB	6 MB	3 MB
	Chipset	Intel HM76		
	BIOS	AMI SPI 16 Mb		
Memory	Technology	DDR3 1333/1600		
	Max. Capacity	4G on board memory		
Display	Chipset	Intel Integrated Graphics HD4000, support Direct x11		
	VGA	1 x DB15, max resolution up to 2048 x 1536		
	HDMI	1 x HDMI, support HDMI1.4 standard, max to 1920 x 1200 @ 60Hz		
	LVDS	Built-in interface, support 48-bit dual channel Convert to real I/O via cable (Front panel, Option)		
	eDP	Box Header on board Can be converted to DP/HDMI(video only)/DVI via converter board (optional)		
	Display Option	Support three independent display		
Ethernet	Controller	Intel I210-AT,10/100/1000 Mbps		
	Interface	2 x RJ-45		
Storage	HDD	Support 2 x 2.5" HDD or 2.5" HDD+CF module		
	SSD	1 x internal mSATA		
I/O	USB	2 x USB3.0 & 4 x USB2.0		
	Serial Port	2 x DB9, RS232/422/485 with automatic flow control		
	DIO	1 x DB9, 8-bit		
	Audio	2 (1 x Line-Out, 1 x Mic-in)		
	PS2	1 x PS2		
	LPT	1 x DB26 (Front panel, option)		
Expansion Slot	Mini PCIe	1 x internal Mini PCIe (Full-Size)		
LED & Button	LED	Power x 1/Storage x 1/Fault x 1		
	Button	Power on/off Switch x 1 Reset button x 1		
Power	Input Voltage	DC wide range 9V ~ 36V input		
	Interface	2-pin terminal block		
Watchdog Timer	Output	System reset		
	Interval	Programmable 1~255 sec/min		
Environment	Temperature	Operating with Industrial SSD/mSATA/CF with 0.7m/s air flow	Operating (with HDD)	Non-Operating
		-25 ~ 60° C	0 ~ 40° C	-40 ~ 85° C
Mechanical	Dimension (W x H x D)	253 x 86.6 x 240 mm		
	Install	Desktop/Wall-mounting		
Certifications	EMC	CE/FCC Class A, CCC, BSMI		
	Safety	UL,CCC,BSMI		

Dimensions

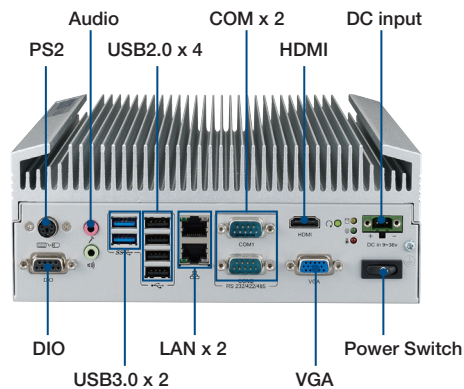
Unit: mm



I/O Front View



I/O Rear View



Ordering Information

Part Number	Description
ITA-3630-00A1E	Intel Core i5-3610ME 2.7GHz.w/dual HDD bracket
ITA-3630-01A1E	Intel Core i5-3610ME 2.7GHz.w/CF bracket

Optional Accessory

Part No.	Description
1757003659	ADAPTER 100-240V 65W 19V 3.42A
1700001947	Power Cord 2P USA 7A 125V 1.8M
1700001948	Power Cord 2P Europe 2.5A 250V 1.8M
1700001949	Power Cord 2P UK 2.5A/3A 250V 1.8M
1757003705	ADAPTER 100-240V 84W 12V 7A
1700001524	Power Cord 3P UL 10A 125V 180cm
170203183C	Power Cord 3P Europe (WS-010+WS-083)183cm
170203180A	Power Cord 3P UK 2.5A/3A 250V 1.83M
1700008921	Power Cord 3P/3P POWER SUPPLY 1.8M ARK-5280 PSE
1700019592	Parallel cable/D-SUB 25P(F)/IDE#2 26P-2.0 15cm
1700020692-01	LVDS cable/D-SUB 26P(F)/2*20P-1.25 15cm

Packing List

Part No.	Description
-	1 x ITA-3630
2062363000	1 x Driver CD
200K363000	1 x Startup manual
1960059401N001	2 x Supporting-angels
1652002205	1 x 2-pin Terminal Block