

PPC-3210SW

21.5" Fanless Panel PC with Intel® Celeron® N2930 Processor



Features

- Industrial-grade 21.5" Full HD TFT LCD with 50K backlight lifetime
- True-flat touchscreen with projected capacitive multi-touch control
- Intel® Celeron® N2930 quad-core, 1.83 GHz, processor
- Up to 8 GB DDR3L SDRAM
- 1 x RS-232, 1 x RS-232/422/485, 1 x USB 2.0, and 1 x USB 3.0
- Compact, fanless design with solid aluminum alloy enclosure and IP65-rated front panel
- Supports E-Eye monitoring and protection
- Supports expansion via full-size mini PCIe
- Supports Windows Embedded and Android OS
- Supports VESA 75 x 75 mounting holes



Introduction

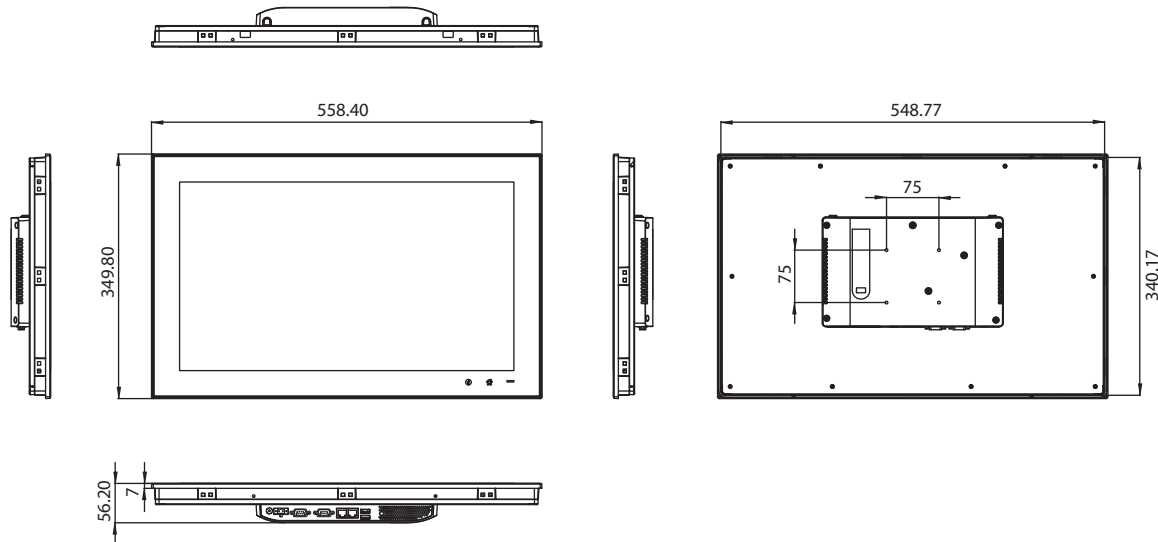
The PPC-3210SW is a high-value, ultra-slim panel PC equipped with a 21.5" Full HD TFT LCD, and low-power Intel® Celeron® N2930 quad-core, 1.86 GHz, processor to provide high-performance computing in a compact and fanless system. For high durability and functionality, the PPC-3210SW features an IP65-rated front panel, true-flat projected capacitive touchscreen, die cast aluminum alloy enclosure, two serial ports, two USB ports, and two GbE LAN ports, making it suitable for diverse industrial applications. To provide further system monitoring and protection capabilities, e-Eye technology is provided at the rear of the panel PC for indicating the system operating status to facilitate detection and analysis.

Specifications

System	CPU	Intel® Celeron® N2930 quad core
	Frequency	1.83 GHz
	L2 Cache	2 MB
	Memory	1 x SODIMM DDR3L 1333 MHz (max. 8 GB)
	Storage	1 x 2.5" SATA bay (optional; requires a bracket module for installation) 1 x mSATA bay (default)
	Network (LAN)	2 x 10/100/1000 Mbps Ethernet
	I/O	2 x Serial ports: 1 x RS-232, 1x RS-232/422/485 (Adjustable through BIOS) 1 x USB 2.0, 1 x USB 3.0
	Expansion	1 x Full-size mini PCIe slot
Physical Characteristics	Watchdog Timer	255 timer levels, set up by software
	Dimensions	558.4 x 349.8 x 56.2 mm (219.8 x 137.7 x 22.1 in)
OS Support	Weight	7.5 kg (16.5 lb)
	OS Support	Microsoft® Windows 7/8.1/10 (32/64-bit), Windows 10 LTSB, WES7, WEC7, Linux, Android 4.4
Power Consumption	Input Voltage	12 ~ 24 V _{DC}
	Power Consumption	25W (Burn-in test 7.0 in Windows 7, 32-bit)
LCD	Display Type	21.5" TFT LCD (LED backlight)
	Resolution	1920 x 1080
	Viewing Angle	89 (left), 89 (right), 89 (up), 89 (down)
	Luminance (cd/m ²)	300
	Contrast Ratio	5000
	Backlight Lifetime	50,000 hr
Touchscreen	Touch Type	10-point multi-touch projected capacitive
	Light Transmission	90 % ± 3 %
	Controller	USB interface
Environment	Operating Temperature	0 ~ 50 °C (32 ~ 122 °F) with SSD 0 ~ 40 °C (32 ~ 104 °F) with HDD (with the HDD temperature more than or equal to 65 °C)
	Storage Temperature	-20 ~ 60 °C (-4 ~ 140 °F)
	Relative Humidity	10 ~ 95% @ 40 °C (non-condensing)
	Shock	Operating 10 G peak acceleration (11 ms duration), follow IEC 60068-2-27
	Vibration	Operating Random Vibration Test 5 ~ 500Hz, 1Grms @with HDD; 2Grms @with SSD, follow IEC 60068-2-64
	EMC	CE, FCC Class B, BSMI
	Safety	CB, CCC, BSMI, UL
Front Panel Protection	IP65 compliant	

Dimensions

Unit: mm

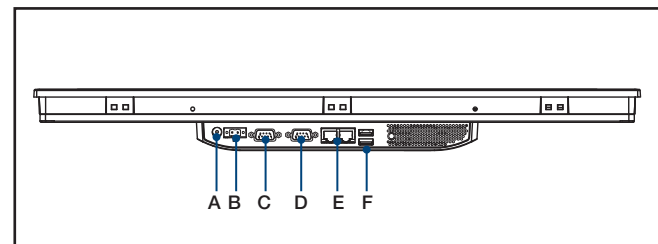


Panel Cutout Dimensions: 550.3 x 341.8 mm (21.66 x 13.45 in)

Ordering Information

Part Number	Description
PPC-3210SW-PAE	Intel Celeron N2930 Fanless Panel PC with 21.5" Full HD LED backlight
PPC-3100S-HDDE	Bracket module for 2.5" SSD/HDD installation
96PSA-A90W190T-1	ADP A/D 100-240V 90W 19V W/PFC
PPC-WLAN-B1E	Wi-Fi Module with Antenna Cable 40cm for PPC
PPC-ARM-A03	ARM VESA Standard (A-CLEVER) for PPC series
PPC-174T-WL-MTE	Wall mount kit for PPC series
PPC-Stand-A1E	Stand for PPC series
1700001524	Power cord 3P UL 10A 125V 1.8M
170203183C	Power cord 3P Europe (WS-010+083) 183cm
1700008921	Power cord 3P/3P 1.8M PSE
96CB-POWER-B-1.8M	Power cord 3P CCC(China) 1.8M

I/O View



- A. Power Switch
- B. DC-In
- C. RS-232
- D. RS-232/422/485
- E. 2 x RJ45 LAN
- F. 1 x USB 2.0, 1 x USB 3.0