

PPC-6171C

17" Configurable Panel PC Chassis for Selectable Mini-ITX Motherboards



Features

- 17" true-flat panel PC with resistive touch
- Supports certified mini-ITX motherboards (up to 65W TDP processor)
- PCI or PCIe expansion slots
- Front-facing power status LED indicators
- IP65-rated front panel

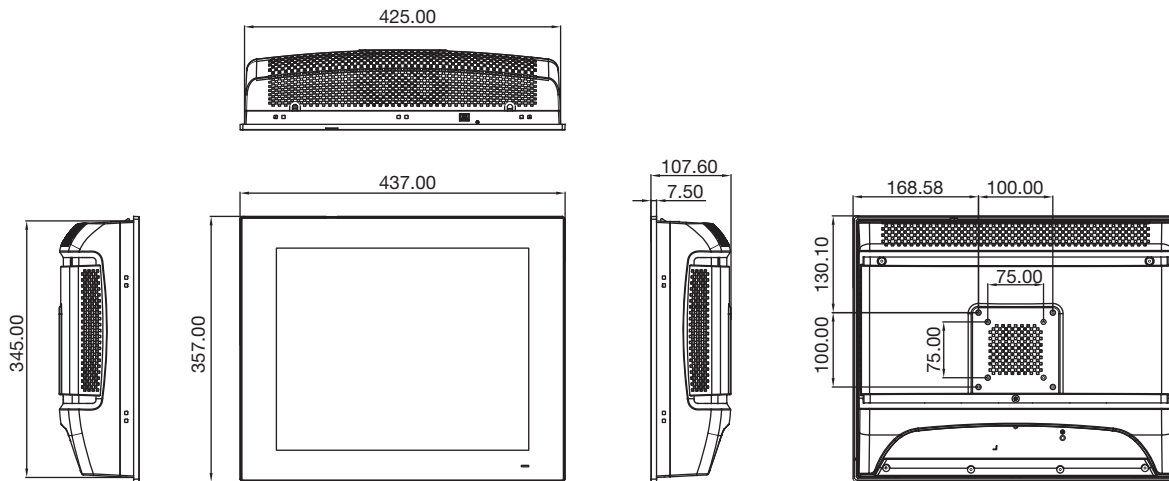


Specifications

| Model | | PPC-6171C-RTAE | PPC-6171C-RMAE |
|--------------------------|--------------------------------|--|--|
| Supported Motherboard | | PPC-MB-8260AE/PPC-MB-610 | <ul style="list-style-type: none"> ▪ AIMB-275 ▪ AIMB-226 |
| Chassis | Storage | 1 x 2.5" SATA HDD bay/2 x 2.5" SATA HDD bay (optional) | 2 x 2.5" SATA HDD bay |
| | I/O | 4 x Reserved ports (DB9) 2 x WLAN antenna holes 1 x AC inlet 1 x Power switch Reserved opening: According to the PPC-MB-8260AE/PPC-MB-610 motherboard specifications | 1 x AC inlet 1 x Power switch 1 x DP (input, for connecting the motherboard and LVDS panel) 1 x USB 2.0 (input, for connecting the motherboard and touch controller) Reserved opening: According to the motherboard specifications |
| | Expansion | 1 x PCIe x4 or 2 x PCI (in the accessory box) 2 x PCIe x1 (optional) 1 x PCIe x1 + 1 x PCI (optional) 2 x PCIe x8 (optional, only for PPC-MB-610) | 1 x PCIe x4 or 1 x PCI (in the accessory box) |
| | Speaker | 2 x 1 W | 2 x 1 W (optional) |
| | Fan | 2 x 12V; 60 x 60 x 15 mm (2.36 x 2.36 x 0.59 in) | |
| Physical Characteristics | Dimensions (W x H x D) | 437 x 357 x 107.6 mm (17.2 x 14.06 x 4.2 in) | |
| | Weight | 5.4 kg (11.9 lb) | |
| OS Support | OS Support | According to motherboard specifications | |
| | Input Voltage | 100 ~ 240 V _{AC} , 250W | |
| Power Consumption | Power Consumption | SKL: 95W/KBL:125W (with PPC-MB-8260AE) CFL:165W (with PPC-MB-610) | |
| | Display Type | 17" TFT LED panel | |
| LCD | Max. Resolution | 1280 x 1024 | |
| | Viewing Angle | 80 (left), 80 (right), 60 (up), 80 (down) | |
| | Luminance (cd/m ²) | 350 | |
| | Contrast Ratio | 800 | |
| | Backlight Lifetime | 50,000 hr | |
| | Touchscreen | Touch Type | 5-wire analog resistive, with optional projected capacitive touch |
| Light Transmission | | 80+/-5% | |
| Controller | | USB interface | |
| Durability | | 35 million touches | |
| Environment | Operating Temperature | 0 ~ 50 °C (32 ~ 122 °F)(With 35W CPU) | 0 ~ 50 °C (32 ~ 122 °F) |
| | | 0 ~ 45 °C (32 ~ 113 °F)(With 65W CPU) *** please refer to the PPC-MB-8260AE/PPC-MB-610 CPU list | |
| | Storage Temperature | -30 ~ 60 °C (-22 ~ 140 °F) | |
| | Relative Humidity | 10 ~ 95% @ 40 °C (non-condensing) | |
| | Shock | Operating: 10 G peak acceleration (11 ms duration), IEC 60068-2-27 compliant | |
| | Vibration | Operating: Random vibration test 5 ~ 500 Hz, 1 Grms @ with HDD, IEC 60068-2-64 compliant | |
| | EMC | BSMI,CE,FCC,Class A | CE,FCC,Class A |
| | Safety | BSMI,CB,CCC,UL | CB,CCC,UL |
| Front Panel Protection | IP65 compliant | | |

Dimensions

Unit: mm



Panel Cutout Dimensions: 427 x 347 mm (16.81 x 13.66 in)

Ordering Information

| M/B Part Number | Chassis Part Number | Cooler Part Number |
|--|--------------------------------|--------------------|
| PPC-MB-8260AE/ PPC-MB-610 | PPC-6171C-RTAE | 1960053207N001 |
| PPC-MB-8260AU/ PPC-MB-610U (for U.S. only) | PPC-6171C-RTAU (for U.S. only) | 1960053207N001 |
| AIMB-275 | PPC-6171C-RMAE | 1960053207N001 |
| AIMB-226 | PPC-6171C-RMAE | 1960061914N001 |

Note 1. The motherboard, chassis, and cooler should be ordered together to ensure easy configuration.

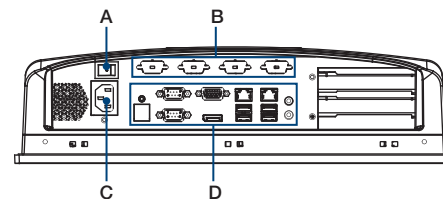
Note 2. The chassis is equipped with AC power supply and riser cards.

Optional Accessories

| Part Number | Description |
|--------------------|---|
| PPC-WLAN-C1E | M.2 Wi-Fi Module with Antenna cable support 2T2R |
| 1702002605 | Power cable (EU) 90D 220 ~ 250V/6A, 1.8 M |
| 1702002600 | Power cable (US) 180D 125V/10A, 1.83 M |
| 1702031801 | Power cable (UK), 1.8 M |
| 96CB-POWER-B-1.8MA | Power cable (China), 1.8 M |
| 9893BE0200E | PPC-61X1C-RTAE riser card with 2 x PCIe x1 slots |
| 9893BE03000 | PPC-61X1C-RTAE riser card with 1 x PCIe x1 and 1 x PCI slots |
| 9893BE17000 | PPC-61X1C-RTAE riser card with 2 x PCIe x8 slots (only for PPC-MB-610) |
| PPC-ARM-A03 | ARM VESA Standard (A-CLEVER) for PPC series |
| PPC-174T-WL-MTE | Wall mount kit for PPC series |
| PPC-Stand-A1E | Stand for PPC series |
| 1700027838-01 | Cable for two internal USB for PPC-MB-XXXX with I/O BKT |
| 98R36151C10 | the second 2.5" SATA HDD for PPC-61X1C-RTAE (only one riser card slots available) |
| 98R3P612100 | TPM module for PPC-MB-610 |

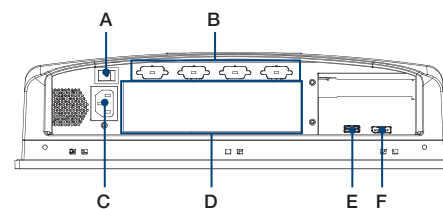
I/O View

PPC-6171C-RTAE



- A. Power switch
- B. Reserved ports
- C. AC inlet
- D. PPC-MB-XXXX port

PPC-6171C-RMAE



- A. Power switch
- B. Reserved ports
- C. AC inlet
- D. Mini-ITX motherboard I/O port
- E. USB 2.0 (input, for connecting the motherboard and touch controller)
- F. Display port (input, for connecting the motherboard and LVDS panel)

M/B offering for PPC-61X1C-RTAE

PPC-MB-8260AE



Features

- Supports Intel® 6th & 7th Gen Core™ i processor (LGA1151) with Intel H110 chipset
- One 260-pin SO-DIMM up to 16GB DDR4 2133 MHz SDRAM
- Supports triple display of DP/VGA/LVDS
- Supports 1 F/S miniPCIe or mSATA, 4 USB 3.0 and 2 USB 2.0
- Supports 1 PCIe x4(Gen3)
- Supports 2 SATA 6 Gb/s Ports
- Supports 4 RS-232, 1 RS-232/422/485
- Supports 1 GPIO(8 channels)

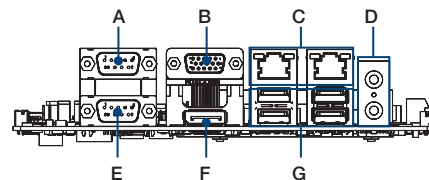
Specifications

| CPU | CPU | KBL | i7-7700 | i5-7500 | i3-7101E | / | / |
|--------------------|----------|--|-----------------------|-----------------------|-----------------------|-----------------|-----------------|
| | | SKL | i7-6700TE | i5-6500TE | i3-6100TE | Pentium G4400TE | Celeron G3900TE |
| | Core NO. | Quad Core | | Quad Core | Dual Core | Dual Core | Dual Core |
| | | MAX Speed | KBL | 3.6GHz (up to 4.2GHz) | 3.4GHz (up to 3.8GHz) | 3.9GHz | / |
| | SKL | | 2.4GHz (up to 3.4GHz) | 2.3GHz (up to 3.3GHz) | 2.7GHz | 2.4GHz | 2.3GHz |
| | L3 Cache | KBL | 8M | 6M | 4M | / | / |
| SKL | | | | 3M | 3M | 2M | |
| TDP | KBL | 65W | 65W | 54W | / | / | |
| | SKL | 35W | 35W | 35W | 35W | 35W | |
| Chipset | | H110 | | | | | |
| Memory | | 1 x 260-pin SODIMM DDR4, 2133 MHz, up to 16 GB (non-ECC) | | | | | |
| Network (LAN) | | 2 x 10/100/1000 Mbps Ethernet and 2 x Intel® I211 | | | | | |
| Rear I/O | | 1 x RS232/422/485, 1 x RS232, 1 x DP1.2, 1 x VGA, 4 x USB3.0, 1 x Line-out, 1 x Mic-in | | | | | |
| Internal Connector | | 3 x RS232, 1 x GPIO (8 channels), 1 x speaker, 1 x LED, 2 x USB 2.0, 1 x LVDS, 1 x touch control, 2 x SATA | | | | | |
| Watchdog Timer | | 255 timer intervals, configurable using software | | | | | |
| Expansion | | 1 x full-size mSATA or mini PCIe and 1 x PCIe x4 slot for riser card | | | | | |
| Dimensions (W x H) | | 170 x 170 mm (6.69 x 6.69") | | | | | |
| OS Support | | Microsoft® Windows 7 (32/64-bit), Windows 8.1/10 (64-bit) (**KBL CPU only support windows 10 64bit) | | | | | |

Ordering Information

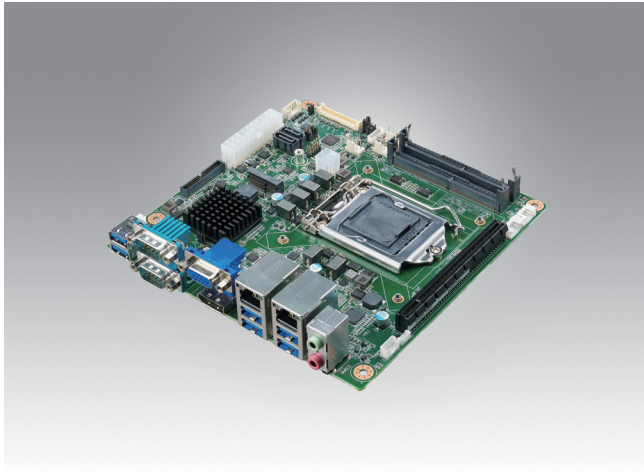
| Part Number | Description |
|----------------------------------|---|
| PPC-MB-8260AE | Mini-ITX M/B support 6/7th Core i for PPC-6000C |
| PPC-MB-8260AU (for U.S. only) | Mini-ITX M/B support 6/7th Core i for PPC-6000C |

I/O view



- | | |
|-------------------------|------------------|
| A. RS232 | E. RS232/422/485 |
| B. VGA | F. Display Port |
| C. 2 x Gigabit Ethernet | G. USB 3.0 |
| D. Line-out/Mic-in | |

PPC-MB-610



Features

- Supports Intel® 8th & 9th Gen Core™ i processor (LGA1151) with Intel Q370 chipset
- Two 260-pin SO-DIMM up to 32GB DDR4 2666 MHz SDRAM
- Supports triple display of DP/VGA/LVDS
- Supports PCIe x16 (Gen 3), 1 M.2 M key & 1 M.2 E key, 6 x USB 3.1
- Supports 2 x SATA 3.0 (Raid 0, 1)
- Supports TPM 2.0 (optional)
- Supports 4 RS-232, 1 RS-232/422/485
- Supports 1 GPIO(8 channels)

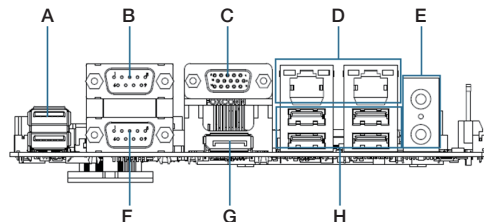
Specifications

| CPU | CPU | i7-8700/ i7-8700T | i5-8500/ i5-8500T | i3-8100/ i3-8100T | Pentium G5400/G5400T | Celeron G4900/ G4900T | i7-9700TE | i5-9500TE | i3-9100TE |
|---------------------------|-----------|---|---|----------------------|-------------------------|--------------------------|---------------------------|---------------------------|----------------------------|
| | Core NO. | 6/6 | 6/6 | 4/4 | 2/2 | 2/2 | 8 | 6 | 4 |
| | Max Speed | 3.2 GHz (up to 4.6GHz)/ 2.4 GHz (up to 4.0GHz) | 3.0 GHz (up to 4.1GHz)/ 2.1 GHz (up to 3.5GHz) | 3.6/3.1 GHz | 3.7 / 3.1 GHz | 3.1 / 2.9 GHz | 1.8 GHz (up to 3.8GHz) | 2.2 GHz (up to 3.6GHz) | 2.2 GHz (up to 3.2GHz)/ |
| | L3 Cache | 12 / 12 MB | 9 / 9 MB | 6 / 6 MB | 4 / 4 MB | 2 / 2 MB | 12 MB | 9 MB | 6 MB |
| | TDP | 65 / 35 W | 65 / 35 W | 65 / 35 W | 54 / 35 W | 54 / 35 W | 35 W | 35 W | 35 W |
| Chipset | | Q370 | | | | | | | |
| Memory | | 2 x 260-pin SODIMM DDR4 , 2666 MHz , up to 32 GB (non-ECC) | | | | | | | |
| Network (LAN) | | 2 x 10/100/1000 Mbps Ethernet and 1 x Intel® L219LM (support AMT 12.0 only for i7 & i5) , 1 x Intel i211 | | | | | | | |
| Rear I/O | | 1 x RS232/422/485 , 1 x RS232 , 1x DP1.2 , 1 x VGA , 6 x USB3.1 , 1 x Line-out , 1 x Mic-in | | | | | | | |
| Internal Connector | | 3 x RS232 , 1 x GPIO (8 channels) , 1 x speaker , 1 x LED , 2 x USB 2.0 , 1 x LVDS , 1 x touch control , 2 x SATA 3.0 (support RAID 0,1) , 1 x TPM2.0 | | | | | | | |
| Watchdog Timer | | 255 timer intervals , configurable using software | | | | | | | |
| Expansion | | 1 x M.2 slot(2280 M key) for storage; 1 x M.2 slot (2230) for wireless 1 x PCIe16 slot for riser card | | | | | | | |
| Dimensions (W x H) | | 170 mm x 170 mm (6.69" x 6.69") | | | | | | | |
| OS Support | | Microsoft® Windows 10 (64 bit) , Linux | | | | | | | |

Ordering Information

| Part Number | Description |
|--------------------------------|---|
| PPC-MB-610 | Mini-ITX M/B support 8/9th Core i for PPC-6000C |
| PPC-MB-610U (for U.S. only) | Mini-ITX M/B support 8/9th Core i for PPC-6000C |

I/O view



- | | |
|-------------------------|--------------------|
| A. USB3.1 | E. Line-out/Mic-in |
| B. RS232 | F. RS232/422/485 |
| C. VGA | G. Display Port |
| D. 2 x Gigabit Ethernet | H. USB 3.1 |