

# PPC-6151C

## 15" Configurable Panel PC Chassis for Selectable Mini-ITX Motherboards



### Features

- 15" true-flat panel PC with resistive touch
- Supports certified mini-ITX motherboards (up to 65W TDP processor)
- PCI or PCIe expansion slots
- Front-facing power status LED indicators
- IP65-rated front panel

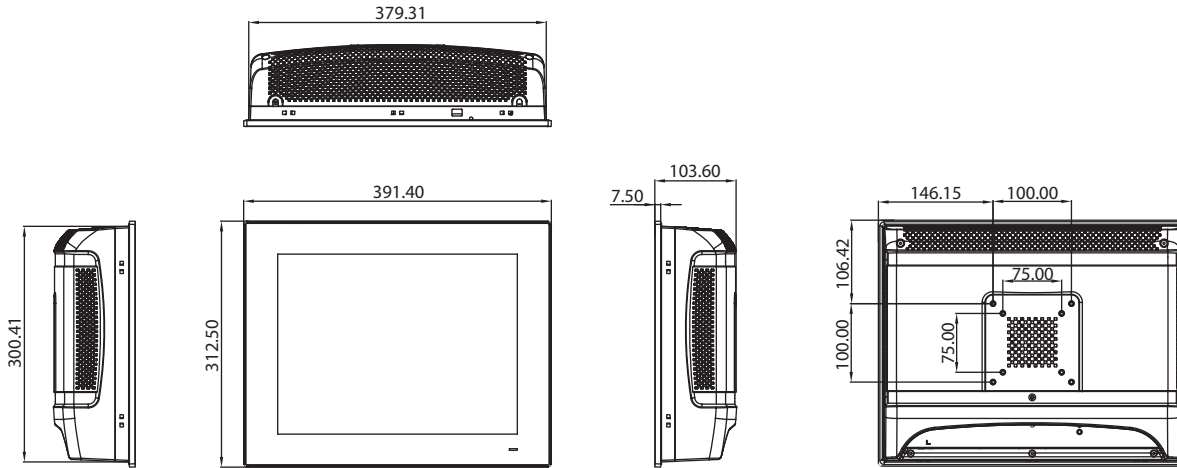


### Specifications

Model		PPC-6151C-RTAE	PPC-6151C-RMAE
Supported Motherboard		PPC-MB-8260AE/PPC-MB-610	<ul style="list-style-type: none"> <li>▪ AIMB-275</li> <li>▪ AIMB-226</li> </ul>
Chassis	Storage	1 x 2.5" SATA HDD bay / 2 x 2.5" SATA HDD bay (optional)	2 x 2.5" SATA HDD bay
	I/O	4 x Reserved ports (DB9) 2 x WLAN antenna holes	
		1 x AC inlet 1 x Power switch Reserved opening: According to the PPC-MB-8260AE/PPC-MB-610 motherboard specifications	1 x AC inlet 1 x Power switch 1 x DP (input, for connecting the motherboard and LVDS panel) 1 x USB 2.0 (input, for connecting the motherboard and touch controller) Reserved opening: According to the motherboard specifications
	Expansion	1 x PCIe x4 or 2 x PCI (in the accessory box), 2 x PCIe x1 (optional), 1 x PCIe x1 + 1 x PCI (optional) 2 x PCIe x8 (optional, only for PPC-MB-610)	1 x PCIe x4 or 1 x PCI (in the accessory box)
	Speaker	2 x 1 W	2 x 1 W (optional)
Physical Characteristics		Fan 2 x 12V; 60 x 60 x 15 mm (2.36 x 2.36 x 0.59 in)	
Dimensions (W x H x D)		391.4 x 312.5 x 103.6 mm (15.4 x 12.3 x 4.08 in)	
Weight		5.03 kg (11.08 lb)	
OS Support		OS Support According to motherboard specifications	
Power Consumption		Input Voltage 100 ~ 240 V <sub>AC</sub> , 250W	
		Power Consumption SKL: 90W/KBL:120W (with PPC-MB-8260AE) CFL: 162W (with PPC-MB-610)	
LCD	Display Type	15" TFT LED panel	
	Max. Resolution	1024 x 768	
	Viewing Angle	88 (left), 88 (right), 88 (up), 88 (down)	
	Luminance (cd/m <sup>2</sup> )	500	
	Contrast Ratio	2500	
	Backlight Lifetime	50,000 hr	
Touchscreen	Touch Type	5-wire analog resistive, with optional projected capacitive touch	
	Light Transmission	80+/-5%	
	Controller	USB interface	
	Durability	35 million touches	
Environment	Operating Temperature	0 ~ 50 °C (32 ~ 122 °F)(With 35W CPU) 0 ~ 45 °C (32 ~ 113 °F)(With 65W CPU) *** please refer to the PPC-MB-8260AE/PPC-MB-610 CPU list	0 ~ 50 °C (32 ~ 122 °F)
		Storage Temperature	-30 ~ 60 °C (-22 ~ 140 °F)
	Relative Humidity	10 ~ 95% @ 40 °C (non-condensing)	
	Shock	Operating: 10 G peak acceleration (11 ms duration), IEC 60068-2-27 compliant	
	Vibration	Operating: Random vibration test 5 ~ 500 Hz, 1 Grms @ with HDD, IEC 60068-2-64 compliant	
	EMC	BSMI,CE,FCC,Class A	CE,FCC,Class A
	Safety	BSMI,CB,CCC,UL	CB,CCC,UL
	Front Panel Protection	IP65 compliant	

## Dimensions

Unit: mm



Panel Cutout Dimensions: 382 x 303 mm (15.03 x 11.92 in)

## Ordering Information

M/B Part Number	Chassis Part Number	Cooler Part Number
PPC-MB-8260AE/ PPC-MB-610	PPC-6151C-RTAE	1960053207N001
PPC-MB-8260AU/ PPC-MB-610U (for U.S. only)	PPC-6151C-RTAU (for U.S. only)	1960053207N001
AIMB-275	PPC-6151C-RMAE	1960053207N001
AIMB-226	PPC-6151C-RMAE	1960061914N001

Note 1. The motherboard, chassis, and cooler should be ordered together to ensure easy configuration.

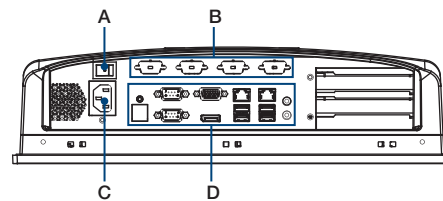
Note 2. The chassis is equipped with AC power supply and riser cards.

## Optional Accessories

Part Number	Description
PPC-WLAN-C1E	M.2 Wi-Fi Module with Antenna cable support 2T2R
1702002605	Power cable (EU) 90D 220 ~ 250V/6A, 1.8 M
1702002600	Power cable (US) 180D 125V/10A, 1.83 M
1702031801	Power cable (UK), 1.8 M
96CB-POWER-B-1.8MA	Power cable (China), 1.8 M
9893BE0200E	PPC-61X1C-RTAE riser card with 2 x PCIe x1 slots
9893BE03000	PPC-61X1C-RTAE riser card with 1 x PCIe x1 and 1 x PCI slots
9893BE17000	PPC-61X1C-RTAE riser card with 2 x PCIe x8 slots (only for PPC-MB-610)
PPC-ARM-A03	ARM VESA Standard (A-CLEVER) for PPC series
PPC-174T-WL-MTE	Wall mount kit for PPC series
PPC-Stand-A1E	Stand for PPC series
1700027838-01	Cable for two internal USB for PPC-MB-XXXX with I/O BKT
98R36151C10	the second 2.5"SATA HDD for PPC-61X1C-RTAE (only one riser card slots available)
98R3P612100	TPM module for PPC-MB-610

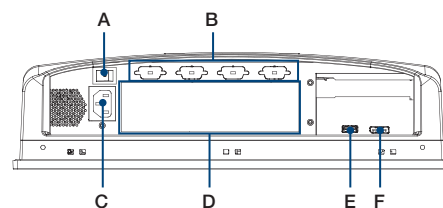
## I/O View

### PPC-6151C-RTAE



- A. Power switch
- B. Reserved ports
- C. AC inlet
- D. PPC-MB-XXXX I/O port

### PPC-6151C-RMAE



- A. Power switch
- B. Reserved ports
- C. AC inlet
- D. Mini-ITX motherboard I/O port
- E. USB 2.0 (input, for connecting the motherboard and touch controller)
- F. Display port (input, for connecting the motherboard and LVDS panel)

# M/B offering for PPC-61X1C-RTAE

## PPC-MB-8260AE



### Features

- Supports Intel® 6th & 7th Gen Core™ i processor (LGA1151) with Intel H110 chipset
- One 260-pin SO-DIMM up to 16GB DDR4 2133 MHz SDRAM
- Supports triple display of DP/VGA/LVDS
- Supports 1 F/S miniPCIe or mSATA, 4 USB 3.0 and 2 USB 2.0
- Supports 1 PCIe x4(Gen3)
- Supports 2 SATA 6 Gb/s Ports
- Supports 4 RS-232, 1 RS-232/422/485
- Supports 1 GPIO(8 channels)

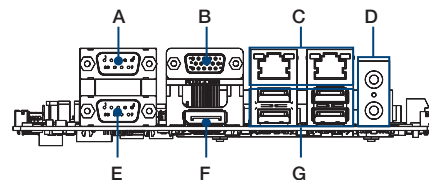
### Specifications

CPU	CPU	KBL	i7-7700	i5-7500	i3-7101E	/	/
		SKL	i7-6700TE	i5-6500TE	i3-6100TE	Pentium G4400TE	Celeron G3900TE
	Core NO.	Quad Core		Quad Core	Dual Core	Dual Core	Dual Core
		MAX Speed	KBL	3.6GHz (up to 4.2GHz)	3.4GHz (up to 3.8GHz)	3.9GHz	/
	SKL		2.4GHz (up to 3.4GHz)	2.3GHz (up to 3.3GHz)	2.7GHz	2.4GHz	2.3GHz
	L3 Cache	KBL	8M	6M	4M	/	/
SKL				3M	3M	2M	
TDP	KBL	65W	65W	54W	/	/	
	SKL	35W	35W	35W	35W	35W	
Chipset		H110					
Memory		1 x 260-pin SODIMM DDR4, 2133 MHz, up to 16 GB (non-ECC)					
Network (LAN)		2 x 10/100/1000 Mbps Ethernet and 2 x Intel® I211					
Rear I/O		1 x RS232/422/485, 1 x RS232, 1 x DP1.2, 1 x VGA, 4 x USB3.0, 1 x Line-out, 1 x Mic-in					
Internal Connector		3 x RS232, 1 x GPIO (8 channels), 1 x speaker, 1 x LED, 2 x USB 2.0, 1 x LVDS, 1 x touch control, 2 x SATA					
Watchdog Timer		255 timer intervals, configurable using software					
Expansion		1 x full-size mSATA or mini PCIe and 1 x PCIe x4 slot for riser card					
Dimensions (W x H)		170 x 170 mm (6.69 x 6.69")					
OS Support		Microsoft® Windows 7 (32/64-bit), Windows 8.1/10 (64-bit) (**KBL CPU only support windows 10 64bit)					

### Ordering Information

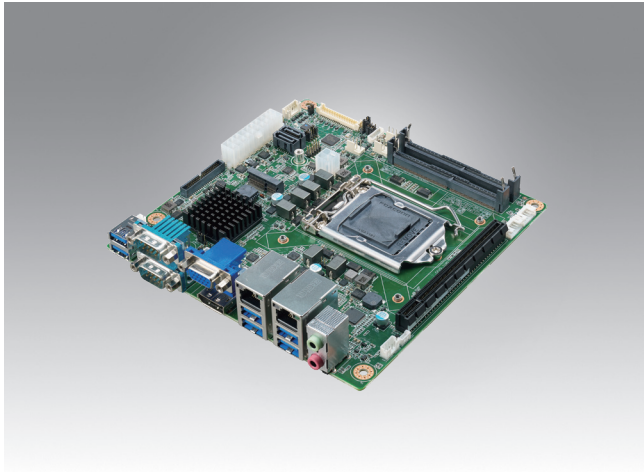
Part Number	Description
PPC-MB-8260AE	Mini-ITX M/B support 6/7th Core i for PPC-6000C
PPC-MB-8260AU (for U.S. only)	Mini-ITX M/B support 6/7th Core i for PPC-6000C

### I/O view



- |                         |                  |
|-------------------------|------------------|
| A. RS232                | E. RS232/422/485 |
| B. VGA                  | F. Display Port  |
| C. 2 x Gigabit Ethernet | G. USB 3.0       |
| D. Line-out/Mic-in      |                  |

# PPC-MB-610



## Features

- Supports Intel® 8th & 9th Gen Core™ i processor (LGA1151) with Intel Q370 chipset
- Two 260-pin SO-DIMM up to 32GB DDR4 2666 MHz SDRAM
- Supports triple display of DP/VGA/LVDS
- Supports PCIe x16 (Gen 3), 1 M.2 M key & 1 M.2 E key, 6 x USB 3.1
- Supports 2 x SATA 3.0 (Raid 0, 1)
- Supports TPM 2.0 (optional)
- Supports 4 RS-232, 1 RS-232/422/485
- Supports 1 GPIO(8 channels)

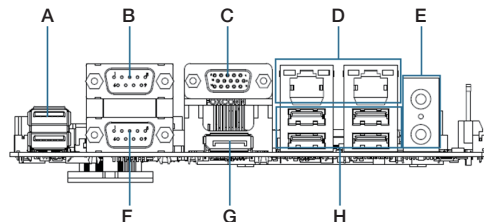
## Specifications

CPU	CPU	i7-8700/ i7-8700T	i5-8500/ i5-8500T	i3-8100/ i3-8100T	Pentium G5400/G5400T	Celeron G4900/ G4900T	i7-9700TE	i5-9500TE	i3-9100TE
	Core NO.	6/6	6/6	4/4	2/2	2/2	8	6	4
	Max Speed	3.2 GHz (up to 4.6GHz)/ 2.4 GHz (up to 4.0GHz)	3.0 GHz (up to 4.1GHz)/ 2.1 GHz (up to 3.5GHz)	3.6/3.1 GHz	3.7 / 3.1 GHz	3.1 / 2.9 GHz	1.8 GHz (up to 3.8GHz)	2.2 GHz (up to 3.6GHz)	2.2 GHz (up to 3.2GHz)/
	L3 Cache	12 / 12 MB	9 / 9 MB	6 / 6 MB	4 / 4 MB	2 / 2 MB	12 MB	9 MB	6 MB
	TDP	65 / 35 W	65 / 35 W	65 / 35 W	54 / 35 W	54 / 35 W	35 W	35 W	35 W
<b>Chipset</b>		Q370							
<b>Memory</b>		2 x 260-pin SODIMM DDR4 , 2666 MHz , up to 32 GB ( non-ECC )							
<b>Network (LAN)</b>		2 x 10/100/1000 Mbps Ethernet and 1 x Intel® L219LM (support AMT 12.0 only for i7 & i5) , 1 x Intel i211							
<b>Rear I/O</b>		1 x RS232/422/485 , 1 x RS232 , 1x DP1.2 , 1 x VGA , 6 x USB3.1 , 1 x Line-out , 1 x Mic-in							
<b>Internal Connector</b>		3 x RS232 , 1 x GPIO ( 8 channels ) , 1 x speaker , 1 x LED , 2 x USB 2.0 , 1 x LVDS , 1 x touch control , 2 x SATA 3.0 ( support RAID 0,1 ) , 1 x TPM2.0							
<b>Watchdog Timer</b>		255 timer intervals , configurable using software							
<b>Expansion</b>		1 x M.2 slot(2280 M key) for storage; 1 x M.2 slot (2230) for wireless 1 x PCIe16 slot for riser card							
<b>Dimensions (W x H)</b>		170 mm x 170 mm (6.69" x 6.69")							
<b>OS Support</b>		Microsoft® Windows 10 ( 64 bit ) , Linux							

## Ordering Information

Part Number	Description
PPC-MB-610	Mini-ITX M/B support 8/9th Core i for PPC-6000C
PPC-MB-610U (for U.S. only)	Mini-ITX M/B support 8/9th Core i for PPC-6000C

## I/O view



- |                         |                    |
|-------------------------|--------------------|
| A. USB3.1               | E. Line-out/Mic-in |
| B. RS232                | F. RS232/422/485   |
| C. VGA                  | G. Display Port    |
| D. 2 x Gigabit Ethernet | H. USB 3.1         |