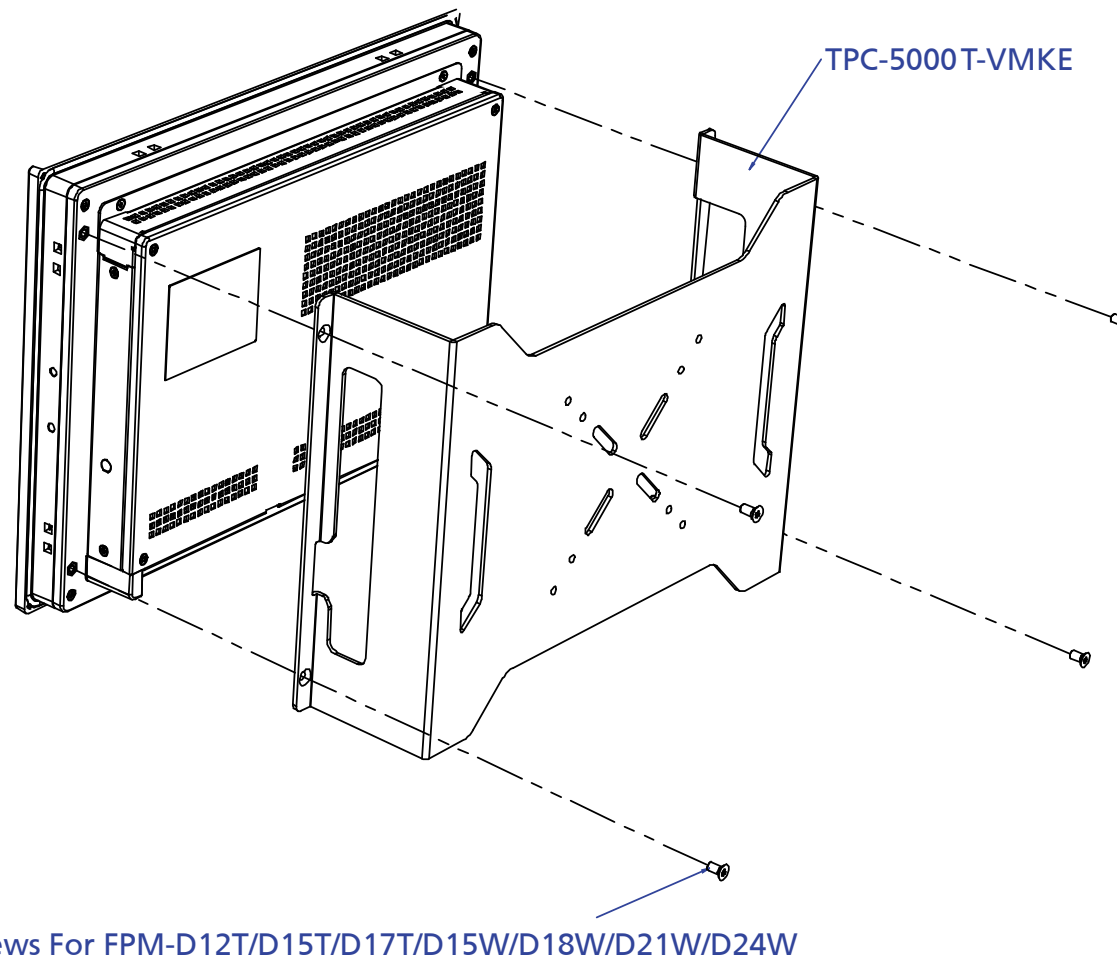


# TPC 5000 Series Vesamount Installation Guide

## Assembly Instructions

The TPC 5000 Series vesamount kit is designed for modular TPC-2000/5000 and FPM-7002 series models from 12" to 23.8". It is a piece of metal pieces secured by 4 x M4 screws. Refer to the directions below for how to secure the modular TPC/FPM series to the kit.



## Packing List

Contact Advantech if any of the following parts are missing.

- TPC-5000T-VMKE as a holding plate
- Packet of Screws

For more information on this and other Advantech products, please visit our websites at:

<http://www.advantech.com>

For technical support and service:

<http://www.advantech.com/support/>

This installation guide is for TPC Series Desktop Installation Guide.

Part No. 2003C50000

2nd Edition