

UBC-330

TI Sitara™ AM3352 Cortex®-A8 RISC Computing Box



Features

- TI Sitara™ AM3352 Cortex®-A8 1.0 GHz processor
- 512 MB of DDR3-800 and 4 GB of eMMC NAND Flash onboard
- 4 GPI and 4 GPO ports (with ESD and isolation protection)
- 5x serial port w/ESD protection (Contact 4KV / Air 8KV)
- 2 Gigabit Ethernet ports
- Supports Linux BSP
- 0 ~ 55 °C operating temperature
- Equipped with hardware watchdog time for system protection



Introduction

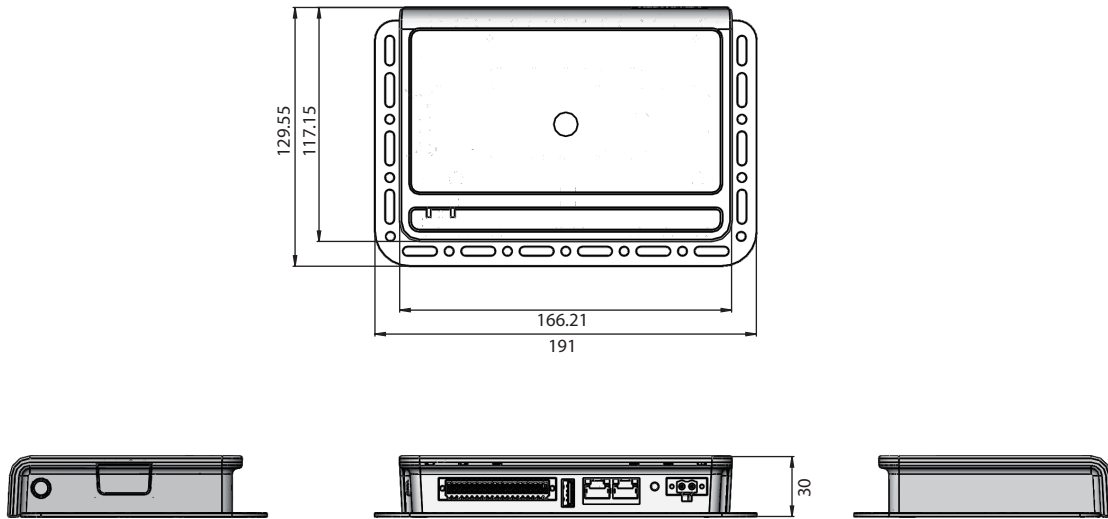
UBC-330 is a RISC computing box powered by a TI Sitara™ AM3352 Cortex®-A8 processor and equipped with 2 Gigabit Ethernet, 5 serial, 4 GPI, and 4 GPO ports. For industrial applications, the serial and GPIO ports feature rugged ESD and isolation protection to prevent system damage from power fluctuations. UBC-330 also supports multiple power input voltages and a wide operating temperature, making it the ideal solution for automation control in smart grid, industrial, and machinery automation applications.

Specifications

| | | | |
|------------------|-------------------------|--|--|
| Form Factor | | Box computer | |
| Processor System | CPU | TI Sitara™ AM3352 Cortex®-A8 1.0 GHz processor | |
| | Capacity | 512 MB of onboard DDR3 at 800 MHz | |
| | Flash | 4 GB of eMMC NAND Flash for OS and 4 MB of SPI NOR Flash for ADV loader | |
| Ethernet | Transceiver | RTL 8211 | |
| | Speed | 2 x 10/100/1000 Mbps | |
| WatchDog Timer | | MSP430G2202 (timeout: 1 ~ 6553s, default 60s/power on/off 1s) | |
| I/O | USB | 1 x USB2.0 host | |
| | Serial Port | 5 (1x 4 wires RS-232/422/485, 4x 2 wires RS-232) The 5 serial port w/ ESD protection (Contact 4KV/ Air 8KV) | |
| | CAN | CAN bus version 2.0 A and B 4 GPI and 4 GPO ports (with optional ESD and isolation protection) | |
| | GPIO | GPI: ESD protection: Contact 4KV/ Air 8KV Isolation: 0 ~ 50V _{DC} input and 10KHz speed | GPO: ESD protection: Contact 4KV/ Air 8KV Isolation: 5 ~ 40V _{DC} output and 10KHz speed (200mA max/channel sink current) |
| | | I ² C | 1 |
| | Button | | 1 x Reset button |
| Expansion | SD Socket | 1 x SD slot | |
| Power | Power Supply Voltage | +12/19/24 V DC-in | |
| | Power Type | 2-pole lockable DC-in | |
| | Power Consumption | 3.3 Watts (maximum) | |
| Environment | Operational Temperature | 0 ~ 55 °C | |
| | Operating Humidity | 5 ~ 95% relative humidity, non-condensing | |
| Mechanical | Dimensions (W x D x H) | 117 x 166 x 30 mm | |
| Operating System | | Linux | |
| Certifications | | CE FCC/CCC Class B | |

Dimensions

Unit: mm



Ordering Information

| Part Number | CPU | Memory | eMMC | SD | CAN | UART | GPIO | Isolation | ESD | USB Host | LAN | Operating Temperature |
|-----------------|-------------------|--------|------|----|-----|------|------|-------------------------|--------------------------|----------|-----|-----------------------|
| UBC-330NS-JLA1E | TI AM3352 1.0 GHz | 512 MB | 4 GB | 1 | 1 | 5 | 8 | Serial: No GPIO: Yes | Serial: Yes GPIO: Yes | 1 | 2 | 0 ~ 55 °C |

Packing List

| Part Number | Description |
|-----------------|---|
| UBC-330NS-JLA1E | UBC-330 AM3352 1 GHz 512 MB computing box |
| 1652006830-01 | 20x2P 2.54mm 180D 0156-1A40 |

Optional Accessories

| Part Number | Description |
|------------------|---|
| 96PSA-A36W12R1 | ADP A/D 100-240V 36W 12V |
| 1700023307-01 | DC jack/plug-in cable 1*2P-5.0 10 cm RSB-4220 |
| 170203183C | Power cord 3P Europe (WS-010+WS-083) 183 cm |
| SQF-ISDS1-4G-82C | SQF SD C6 SLC 4G, 1CH |
| 170203180A | Power cord 3P UK 2.5A/3A 250 V 1.83 M |
| 1700001524 | Power cord 3P UL 10A 125 V 180 cm |

External I/O

