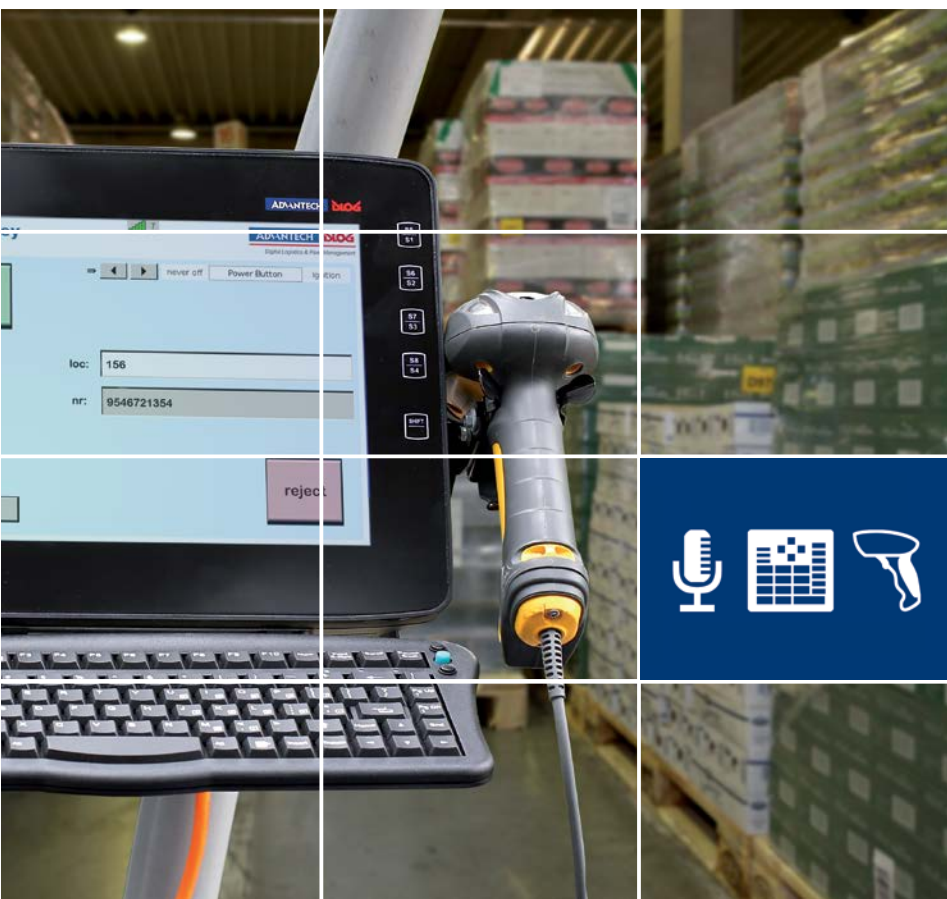


Catalog



DLT-V83 Series

Accessories and Accessory Mountings

V1.10

The software and hardware designations as well as the brand names used in this catalog are in most cases also registered trademarks and are subject to the international law (trademark, brand and protection laws).

We recognize all national and international trademarks and product names.

We reserve the right to modify the contents of this catalog at any time and without prior notice.

DLoG GmbH assumes no liability for technical inaccuracies, typographic errors or faults in this catalog.

DLoG GmbH also assumes no liability for damages caused directly or indirectly by the delivery, performance or usage of this material.

This catalog is protected by copyright. Duplication, in whole or in part, is not permitted without prior written approval of DLoG GmbH.

Catalog title:	Accessories and accessory mounting for DLT-V83 Series
Catalog completed on:	06/30/2016
Catalog version:	V1.10

© Copyright 2015-2016

(+49) 89 / 41 11 91 0

DLoG GmbH

Industriestraße 15

D-82110 Germering

GERMANY

All rights reserved

info@advantech-dlog.com

www.advantech-dlog.com

1.	24-key keyboard with mounting	4
1.1.	Technical data for the 24-key keyboard	4
1.2.	Front mounting for 24-key keyboard	5
1.3.	Side mounting for 24-key keyboard	6
2.	SMALL keyboard with mounting	7
2.1.	Technical data SMALL keyboard	7
2.2.	Front mounting for SMALL keyboard	8
3.	Voice kit with mounting	9
3.1.	Hand microphone including speaker.....	9
3.2.	Mounting for hand microphone incl. speaker	10
4.	Stylus with mounting	11
5.	Scanner mounting	13
6.	Sun visor kit	14
7.	Complete system dimensions	15
7.1.	DLT-V8310	15
7.2.	DLT-V8312	18
7.3.	DLT-V8315	21

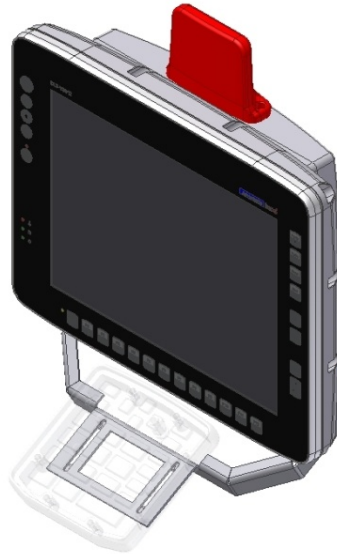
1. 24-key keyboard with mounting

1.1. Technical data for the 24-key keyboard



Technical data	
Application	For rough industrial environment and vehicles Suitable for operation with gloves Outstanding haptics and tactility
Housing material	Coated aluminum
Dimensions	Height 132 mm, Width 132 mm, Depth 24 mm
Weight	0.5 kg
Cable length	50 cm
Number of keys	24
Keys service life	1 million switching cycles min.
Key switching force	2 N
Key switching distance	1.5 mm
Key press technology	Sealed direct press
Connection	USB
Supply voltage	5 V
IP protection	IP65
Operating temperature	-10 to +60 °C
Storage temperature	-35 to +80 °C
Scope of delivery	USB connection cable included
Order number	DL-KBXX65409200

1.2. Front mounting for 24-key keyboard



Example: DLT-V8310

Technical data	
Application	For rough industrial environment and vehicles
Vibration/shock resistance	DLT-V8310, DLT-V8312: 5M3 DLT-V8315: 5M2
Material	Steel St 37-2 powder coated
Scope of delivery	Mounting Screws for attachment to the terminal

Order numbers	
Front mounting for DLT-V8310	DL-MEMS79375100
Front mounting for DLT-V8312	DL-MEMS79375100
Front mounting for DLT-V8315	DL-MEMS79382200

1.3. Side mounting for 24-key keyboard



Example: DLT-V8312

Technical data	
Application	For rough industrial environment and vehicles
Vibration/shock resistance	5M3
Material	Steel St 37-2 powder coated
Scope of delivery	Mounting Screws for attachment to the terminal

Order numbers	
Side mounting for DLT-V8310, right	DL-MEMS79375300
Side mounting for DLT-V8310, left	DL-MEMS79375300
Side mounting for DLT-V8312, right	DL-MEMS79372000
Side mounting for DLT-V8312, left	DL-MEMS79372100
Side mounting for DLT-V8315, right	DL-MEMS79382300
Side mounting for DLT-V8315, left	DL-MEMS79382400

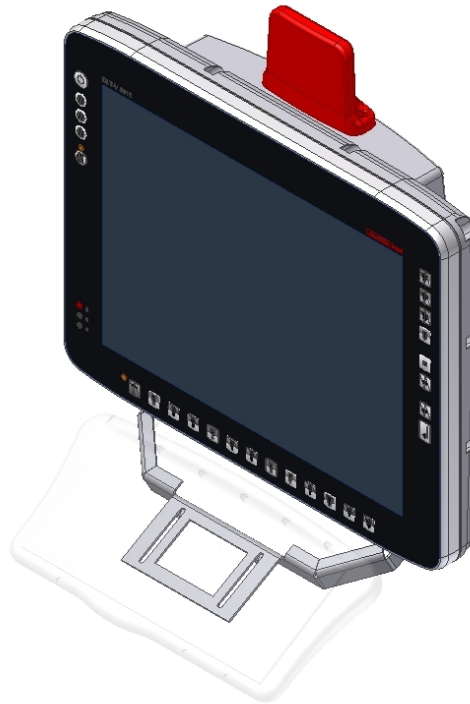
2. SMALL keyboard with mounting

2.1. Technical data SMALL keyboard



Technical data	
Application	For rough industrial environment and vehicles Suitable for operation with gloves Outstanding haptics and tactility
Housing material	Plastic
Dimensions	Height 298 mm, width 142 mm, depth 22 mm
Cable length, table version	180 cm
Cable length, mounted version	60 cm
Number of keys	86, integrated mouse function
Keys service life	At least 1 million switching cycles
Key switching force	0.6 N
Key switching distance	1.5 mm
Connection	USB
Operating voltage	5 V
Current consumption	10 mA
IP protection class/category	IP65
Operating temperature	-10 to +60 °C
Storage temperature	-40 to +80 °C
Scope of delivery	Including USB connection cable
Order numbers	German (QWERTZ): DL-CKBSM65409700 English (QWERTY): DL-CKBSM654098 French (AZERTY): DL-CKBSM654093

2.2. Front mounting for SMALL keyboard



Example: DLT-V8315

Technical data	
Application	For rough industrial environment and vehicles
Vibration/shock resistance	DLT-V8310, DLT-V8312: 5M3 DLT-V8315: 5M2
Material	Steel St 37-2 powder coated
Scope of delivery	Including screws for attachment to the terminal

Order numbers	
Front mounting for DLT-V8310	DL-MEMS79375100
Front mounting for DLT-V8312	DL-MEMS79375100
Front mounting for DLT-V8315	DL-MEMS79382200

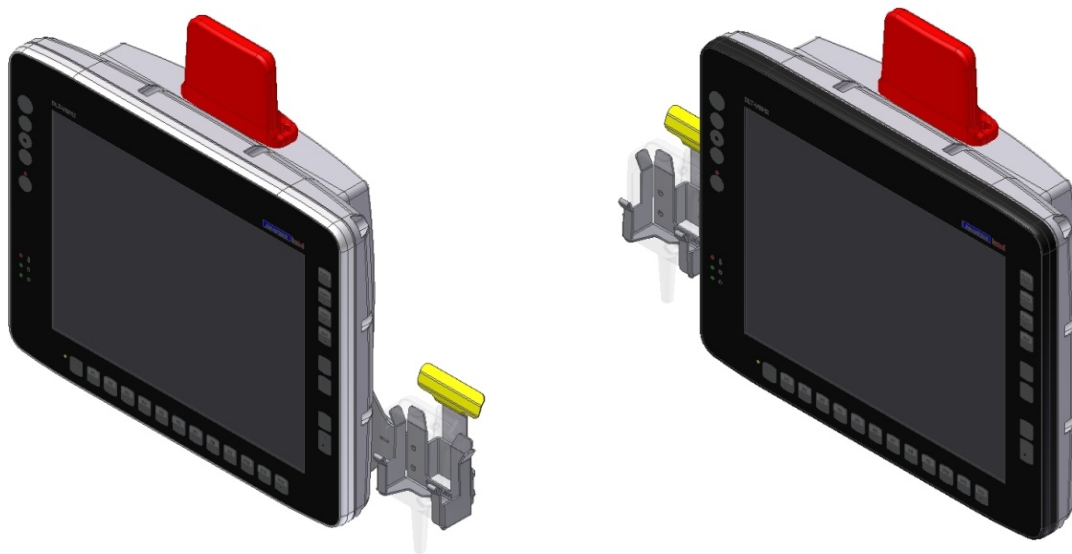
3. Voice kit with mounting

3.1. Hand microphone including speaker



Technical data	
Application	For rough industrial environment and vehicles
IP protection class/category	IP65
Scope of delivery	Hand microphone including speaker
Connection	To Audio/Mic port of the DLT-V83

3.2. Mounting for hand microphone incl. speaker



Example: DLT-V8312

Technical data	
Application	For rough industrial environment and vehicles
Vibration/shock resistance	5M3
Material	Steel St 37-2 powder coated
Scope of delivery	Mounting for hand microphone incl. speaker Screws for attachment to the terminal

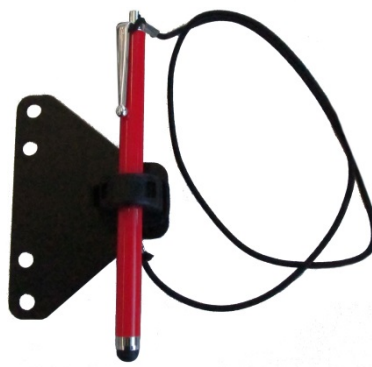
Order numbers	
Voice kit with mounting for DLT-V8310, right	DL-MEMS79375700
Voice kit with mounting for DLT-V8310, left	DL-MEMS79376100
Voice kit with mounting for DLT-V8312, right	DL-MEMS79372400
Voice kit with mounting for DLT-V8312, left	DL-MEMS79372400
Voice kit with mounting for DLT-V8315, right	DL-MEMS79382500
Voice kit with mounting for DLT-V8315, left	DL-MEMS79382500

4. Stylus with mounting

Stylus with mounting
for resistive touchscreen



Stylus with mounting
for PCT touchscreen

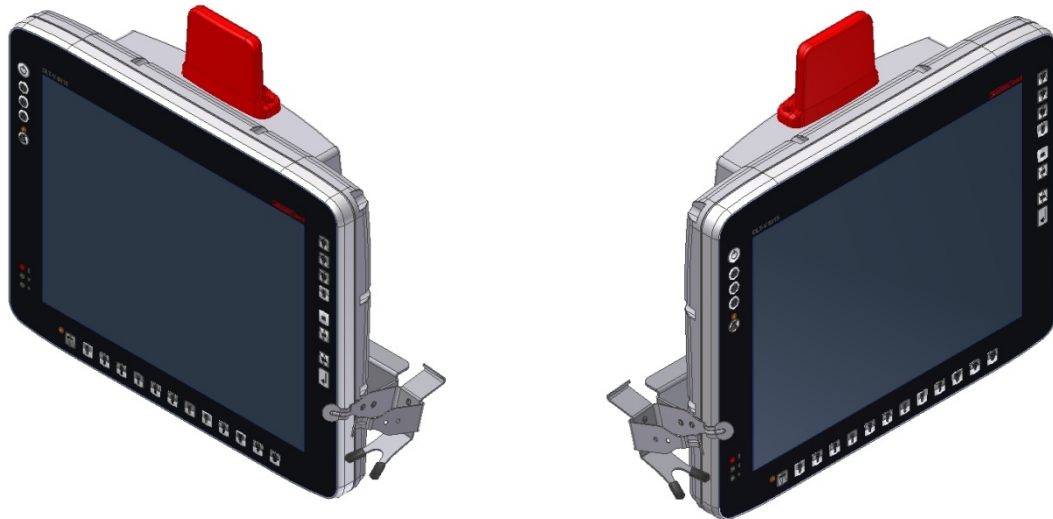


Technical data	
Application	For rough industrial environment and vehicles
Material (mounting)	Steel St 37-2 powder coated
Delivery contents	Stylus Mounting with elastic band (anti-loss) Screws for attachment to the terminal

Order numbers DLT-V8310 and DLT-V8312	
Stylus with mounting, left for DLT-V8310/12 with Resistive Touchscreen	DL-MEMT79388600
Stylus with mounting, right for DLT-V8310/12 with Resistive Touchscreen	DL-MEMT79388200
Stylus with mounting, left for DLT-V8310/12 with PCT Touchscreen	DL-MEMT79388700
Stylus with mounting, right for DLT-V8310/12 with PCT Touchscreen	DL-MEMT79388300

Order numbers DLT-V8315	
Stylus with mounting, left for DLT-V8315 with Resistive Touchscreen	DL-MEMT79388800
Stylus with mounting, right for DLT-V8315 with Resistive Touchscreen	DL-MEMT79388400
Stylus with mounting, left for DLT-V8315 with PCT Touchscreen	DL-MEMT79388900
Stylus with mounting, right for DLT-V8315 with PCT Touchscreen	DL-MEMT79388500

5. Scanner mounting

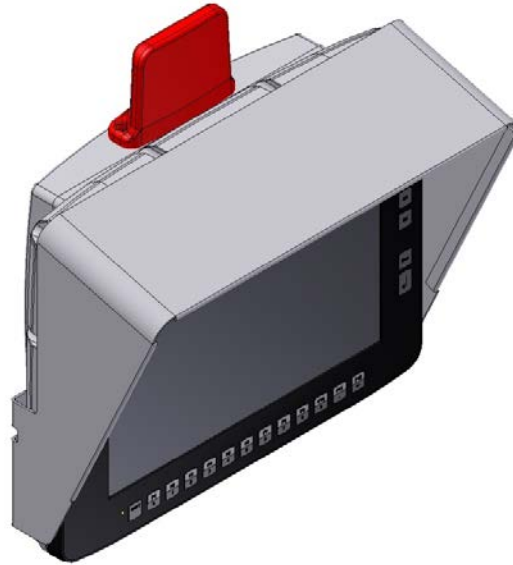


Example: DLT-V8315

Technical data	
Application	For rough industrial environment and vehicles
Vibration/shock resistance	5M3
Material	Steel St 37-2 powder coated
Scope of delivery	Mounting Screws for attachment to the terminal

Order numbers	
Scanner mounting for DLT-V8310, right	DL-MEMS79375400
Scanner mounting for DLT-V8310, left	DL-MEMS79375500
Scanner mounting for DLT-V8312, right	DL-MEMS79372200
Scanner mounting for DLT-V8312, left	DL-MEMS79372300
Scanner mounting for DLT-V8315, right	DL-MEMS79382000
Scanner mounting for DLT-V8315, left	DL-MEMS79382100

6. Sun visor kit



Example: DLT-V8312

Technical data	
Application	For rough industrial environment and vehicles
Vibration/shock resistance	5M3
Material	Aluminum, powder coated
Weight	DLT-V8310: 300.5 g DLT-V8312: 357 g
Scope of delivery	Sun visor Screws for attachment to the terminal

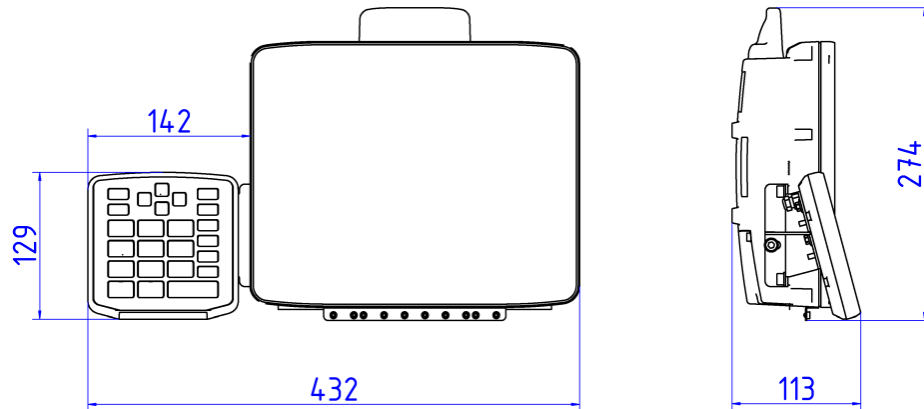
Order numbers	
Sun visor for DLT-V8310	DL-MEMS70177100
Sun visor for DLT-V8312	DL-MEMS70177200
Sun visor for DLT-V8315	not available

7. Complete system dimensions

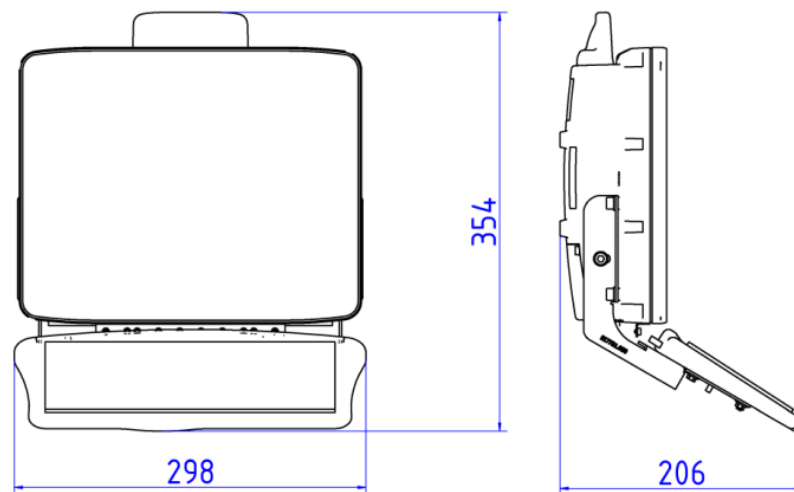
7.1. DLT-V8310

Unit: mm

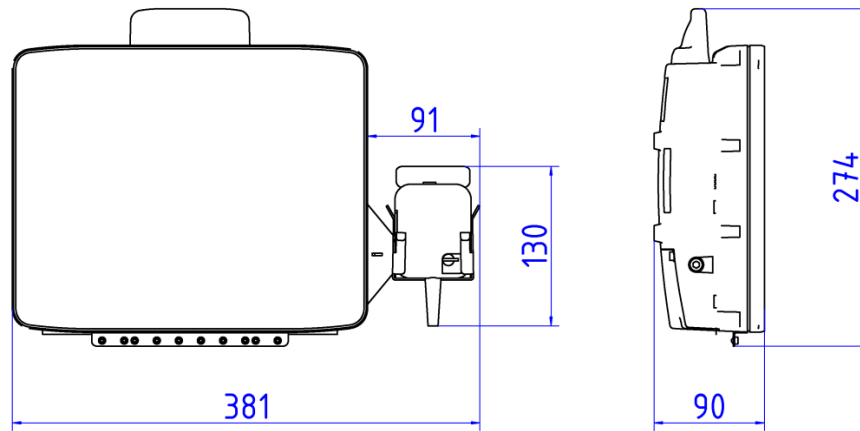
24-key keyboard with mounting for DLT-V8310



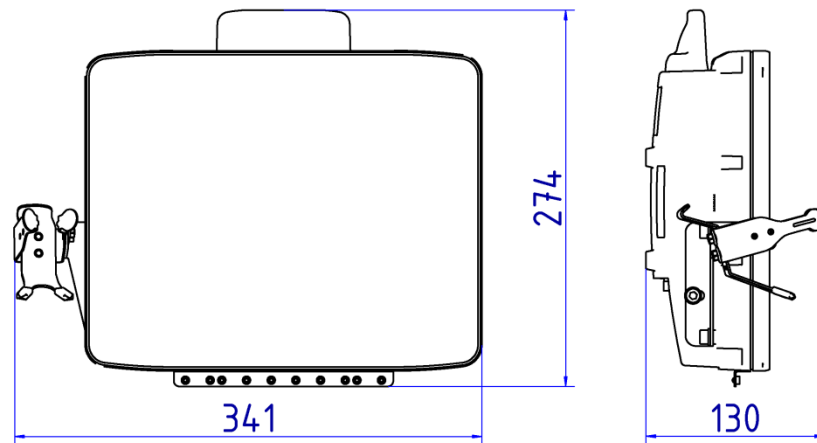
SMALL keyboard with mounting for DLT-V8310



Voice kit with mounting for DLT-V8310

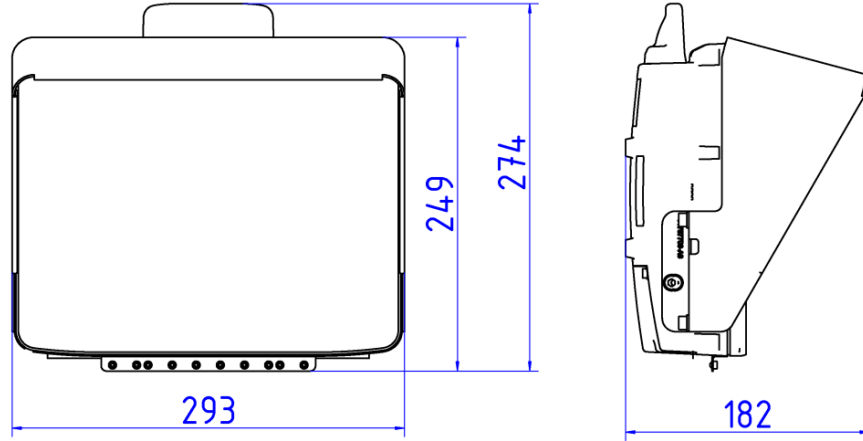


Scanner mounting for DLT-V8310



The total width of the this system depends on the size of the scanner model being used.

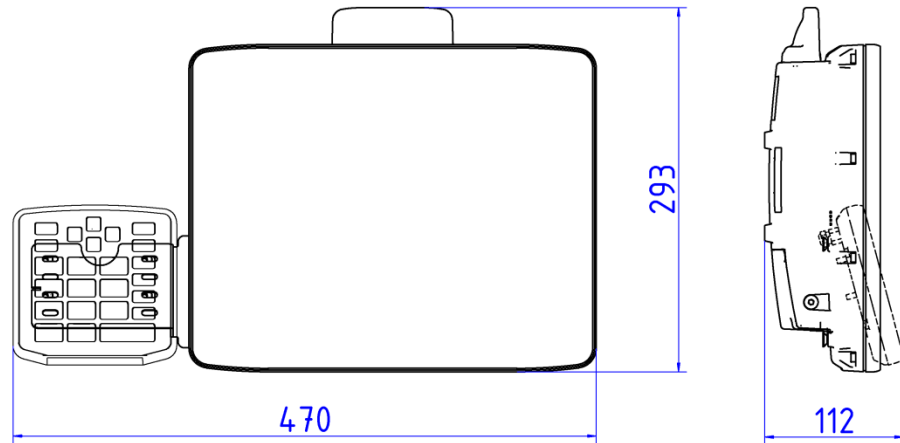
Sun visor for DLT-V8310



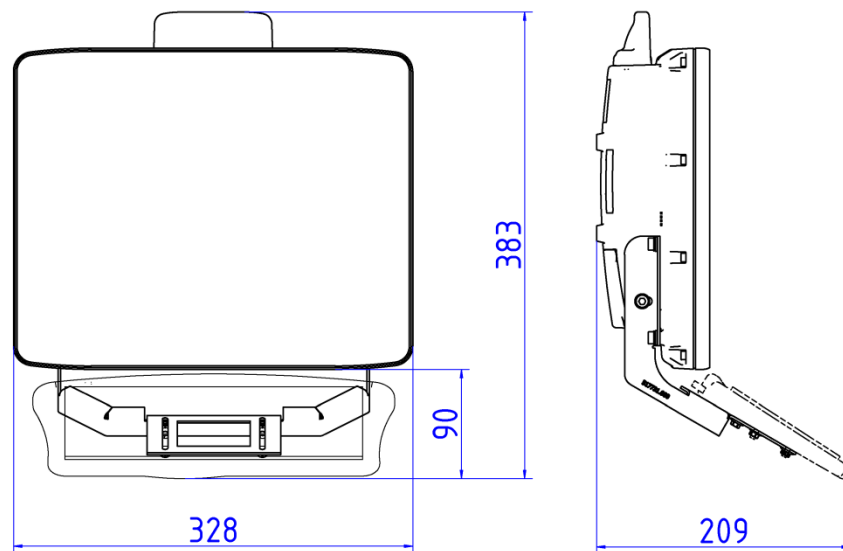
7.2. DLT-V8312

Unit: mm

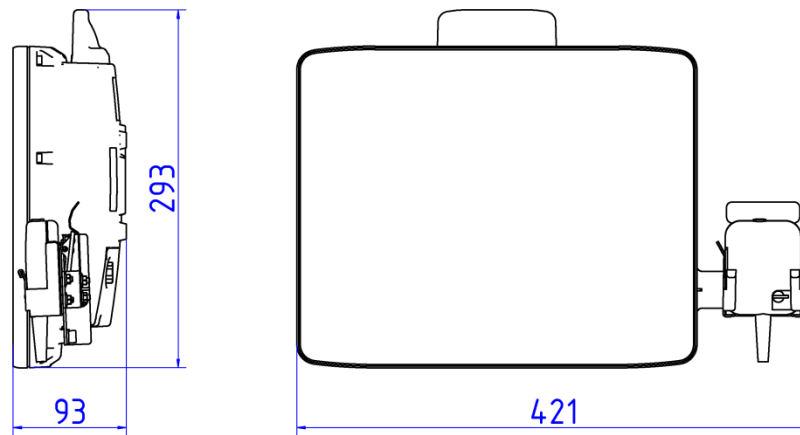
24-key keyboard with mounting for DLT-V8312



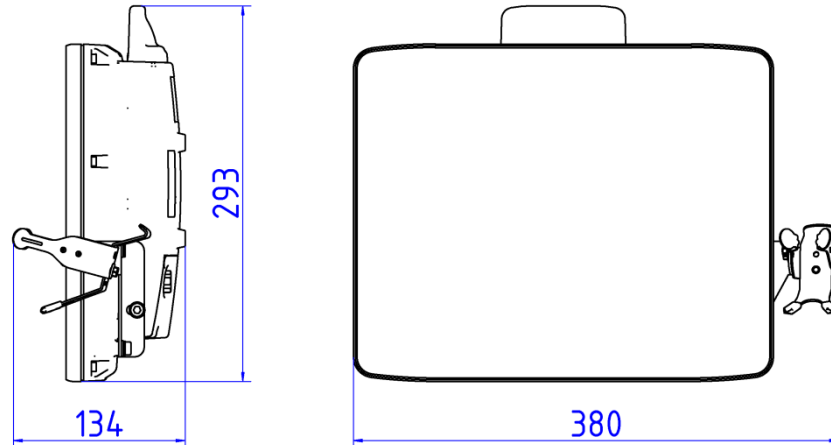
SMALL keyboard with mounting for DLT-V8312



Voice kit with mounting for DLT-V8312

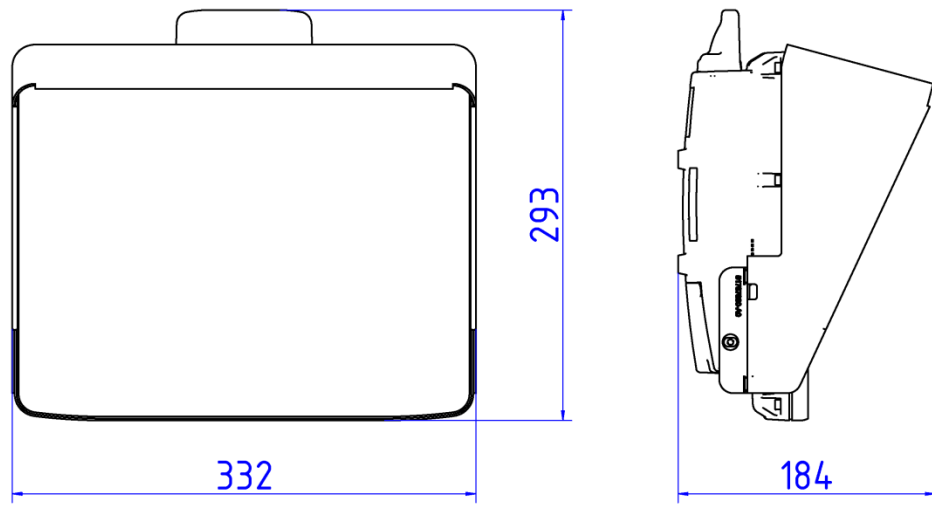


Scanner mounting for DLT-V8312



The total width of the this system depends on the size of the scanner model being used.

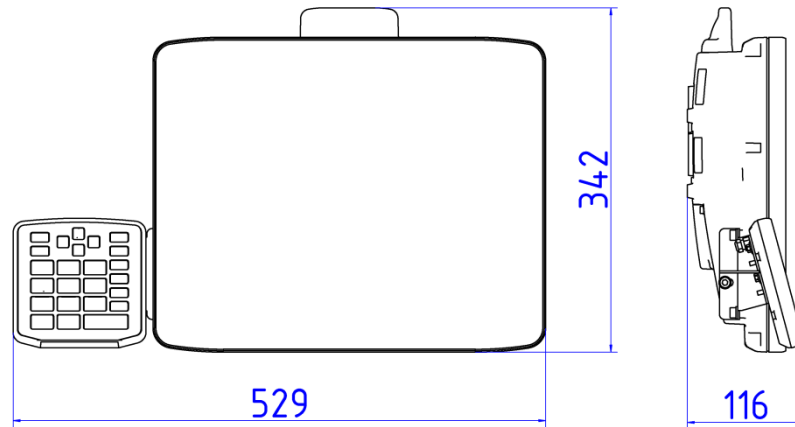
Sun visor for DLT-V8312



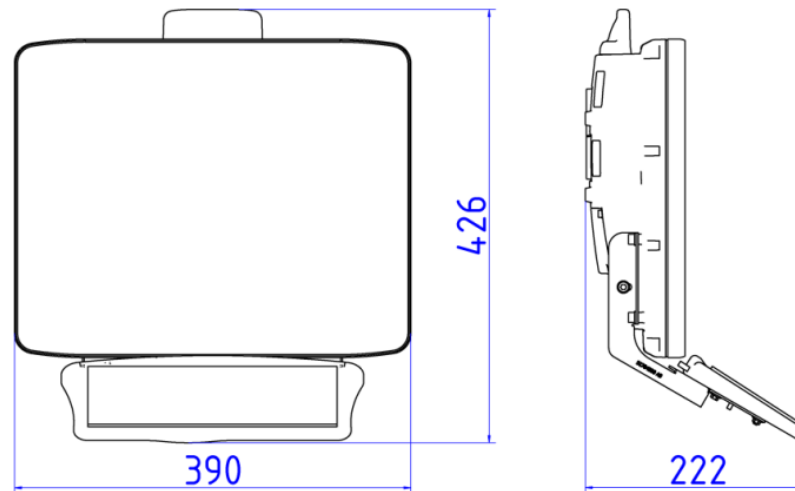
7.3. DLT-V8315

Unit: mm

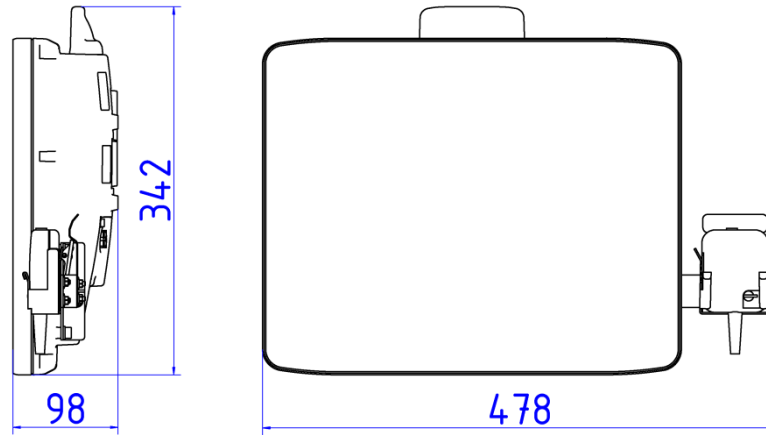
24-key keyboard with mounting for DLT-V8315



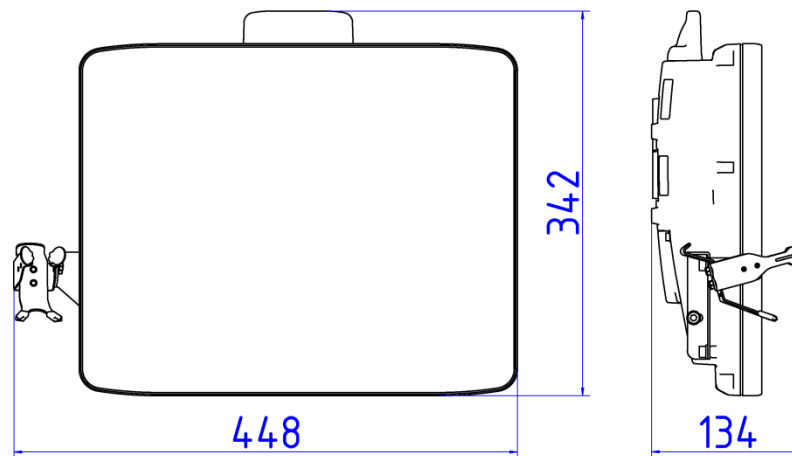
SMALL keyboard with mounting for DLT-V8315



Voice kit with mounting for DLT-V8315



Scanner mounting for DLT-V8315



The total width of the system depends on the size of the scanner model being used.