

DSCA42



2-Wire Transmitter Interface Signal Conditioners with Loop Power

Description

Each DSCA42 2-wire transmitter interface module provides a single channel of 4 to 20mA process current input which is filtered, isolated, amplified, and converted to a high-level voltage output (Figure 1). An isolated 24V power supply is provided to power the 2-wire transmitter. Signal filtering is accomplished with a five-pole filter which is optimized for step response. An anti-aliasing pole is located on the field side of the isolation barrier, and the other four poles are on the system side. After the initial field-side filtering, the input signal is chopped by a proprietary chopper circuit. Isolation is provided by transformer coupling, again using a proprietary technique to suppress transmission of common mode spikes or surges.

Module output is either voltage or current. For current output models a dedicated loop supply is provided at terminal 3 (+OUT) with loop return located at terminal 4 (-OUT). The system-side load may be either floating or grounded.

Special input circuits provide protection against accidental connection of power-line voltages up to 240VAC and against transient events as defined by ANSI/IEEE C37.90.1. Protection circuits are also present on the signal output and power input terminals to guard against transient events and power reversal. Signal and power lines are secured to the module using screw terminals which are in pluggable terminal blocks for ease of system assembly and reconfiguration.

The modules have excellent stability over time and do not require recalibration, however, zero and span settings are adjustable up to $\pm 5\%$ to accommodate situations where fine-tuning is desired. The adjustments are made using potentiometers located under the front panel label and are non-interactive for ease of use.

► Features

- Accepts Process Loop Signals
- Industry Standard Output of 0 to +10V, 2 to +10V, 0 to 20mA, or 4 to 20mA
- Provides Isolated Loop Excitation
- 1500Vrms Transformer Isolation
- ANSI/IEEE C37.90.1 Transient Protection
- Input Protection to 240VAC Continuous
- True 3-Way Isolation
- Wide Range of Supply Voltage
- 105dB CMR
- 5 Poles of Filtering
- $\pm 0.03\%$ Accuracy
- $\pm 0.01\%$ Linearity
- Easily Mounts on Standard DIN Rail
- C-UL-US Listed
- CE and ATEX Compliant

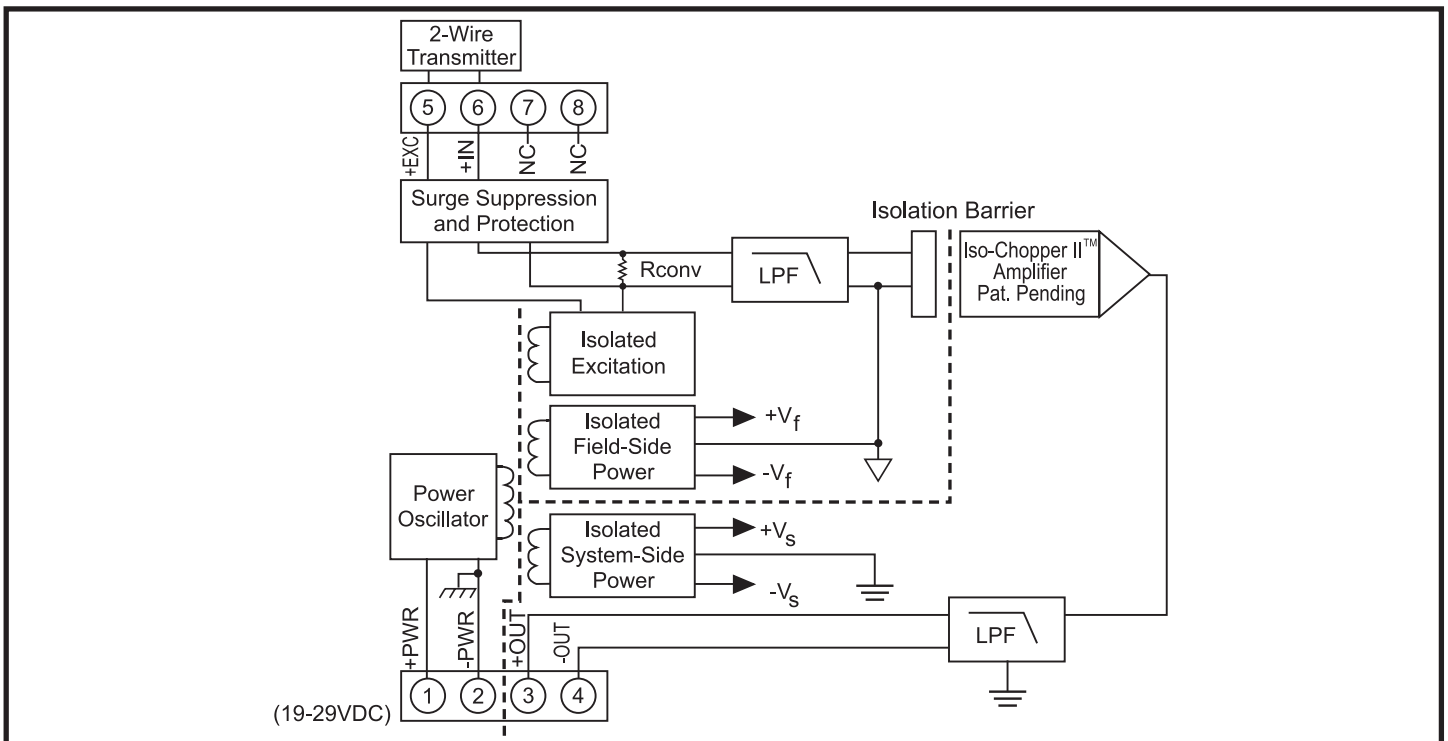


Figure 1: DSCA42 Block Diagram

Specifications Typical* at T_A = +25°C and +24VDC supply voltage

Module	DSCA42
Input Range	4-20mA
Input Resistance	
Normal	<100Ω
Power Off	<100Ω
Overload	65kΩ
Input Protection	
Continuous	240Vrms max
Transient	ANSI/IEEE C37.90.1
Loop Supply Voltage	+20VDC
Isolated Excitation Protection	
Continuous	240Vrms max
Transient	ANSI/IEEE C37.90.1
Output Range	See Ordering Information
Load Resistance (I _{OUT})	600Ω max
Current Limit	8mA (V _{OUT}), 30mA (I _{OUT})
Output Protection	
Short to Ground	Continuous
Transient	ANSI/IEEE C37.90.1
CMV, Input to Output, Input to Power	
Continuous	1500Vrms max
Transient	ANSI/IEEE C37.90.1
CMV, Output to Power	
Continuous	50VDC max
CMR (50Hz or 60Hz)	105dB
Accuracy ⁽¹⁾	±0.03% Span
Linearity	±0.01% Span
Adjustability	±5% Zero and Span
Stability	
Offset	±6ppm/°C (V _{OUT}), ±20ppm/°C (I _{OUT})
Gain	±40ppm/°C
Output Noise, 100kHz Bandwidth	300μVrms (V _{OUT}), 1.5μArms (I _{OUT})
Bandwidth, -3dB	100Hz
NMR (-3dB at 100Hz)	100dB/Decade Above 100Hz
Response Time, 90% Span	5ms
Power Supply	
Voltage	19 to 29VDC
Current	60mA (V _{OUT}), 80mA (I _{OUT})
Sensitivity	±0.0002%/%
Protection	
Reverse Polarity	Continuous
Transient	ANSI/IEEE C37.90.1
Environmental	
Operating Temperature Range	-40°C to +80°C
Storage Temperature Range	-40°C to +80°C
Relative Humidity	0 to 95% Noncondensing
Emissions EN61000-6-4	ISM, Group 1
Radiated, Conducted	Class A
Immunity EN61000-6-2	ISM, Group 1
RF	Performance A ±0.5% Span Error
ESD, EFT	Performance B
Mechanical Dimensions	2.95" x 0.89" x 4.13"
(h)(w)(d)	(75mm x 22.5mm x 105mm)
Mounting	DIN EN 50022 -35x7.5 or -35x15 rail

NOTES:

* Contact factory or your local Dataforth sales office for maximum values.

(1) Includes linearity, hysteresis and repeatability.

Installation Notes:

- 1.) This Equipment is Suitable for Use in Class I, Division 2, Groups A, B, C, D, or Non-Hazardous Locations Only.
- 2.) Warning - Explosion Hazard - Substitution of Components May Impair Suitability for Class I, Division 2.
- 3.) Warning - Explosion Hazard - Do Not Disconnect Equipment Unless Power Has Been Switched Off or The Area is Known to be Non-Hazardous.

Ordering Information

Model	Input Range	Output Range
DSCA42-01	4mA to 20mA	0V to +10V
DSCA42-02	4mA to 20mA	2V to +10V
DSCA42-01C	4mA to 20mA	4 to 20mA
DSCA42-01E	4mA to 20mA	0 to 20mA