

Split-core residual current transformer

Main features

- Makes it possible, in conjunction with the residual current relay, to determine the residual current to earth of machines or systems
- Compact construction
- Detection of very small currents
- Designed to increase the sensitivity of residual current breakers (personal protection) and general circuit breakers
- Suitable for the UMG 96 RM-E, UMG 20CM, UMG 509, UMG 512



Technical data

General data	
Insulation voltage	0,72 kV
Frequency	3 kHz
Operating temperature	-10 to +55 °C
Test voltage	3 kV RMS 50 Hz / 1 min.

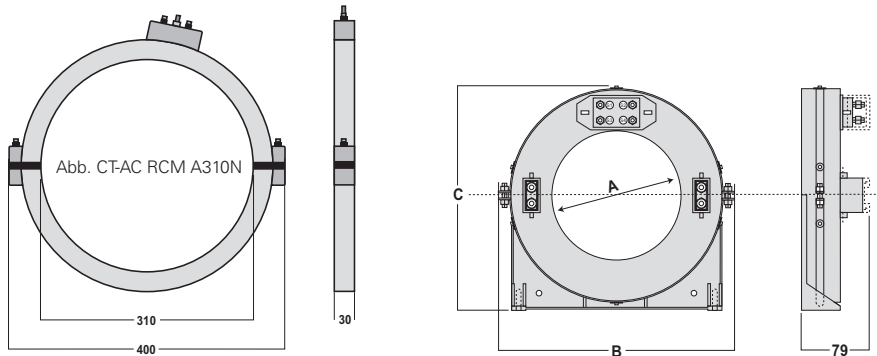
Device overview – Plug-in residual current transformer type A			
Type	Transformation ratio	Max. primary residual current in mA*	Item no.
CT-AC RCM A110N	700/1	21000	15.03.462
CT-AC RCM A150N	700/1	21000	15.03.465
CT-AC RCM A310N	700/1	21000	15.03.461

* When using the analogue inputs of the UMG 96RM-E, UMG 509 and UMG 512.



Dimension diagrams

All dimensions in mm



Dimensions - Plug-in residual current transformer type A				
Type	Dimensions in mm			Weight (kg)
	A	B	C	
CT-AC RCM A110N	110	235	219	2,35
CT-AC RCM A150N	150	275	259	2,50
CT-AC RCM A310N	310	400	416	3,80