

Summation current transformer, class 1 and 0.5 for feedthrough and split core

Potential-free measurement

- Summation of the secondary currents from multiple main CTs
- Thus measuring of multiple feeders by just one meter
- Standardised measurement signal available at the output
- Alongside the addition of the input currents, the total is also divided by the number of inputs
- Distinction for similar and dissimilar main transformers



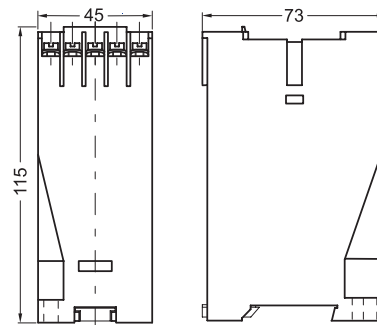
General mechanical properties

- Break-proof plastic housing made from ABS, IP40
- Non-combustible per UL 94 VO, self-extinguishing
- Nickel-plated terminals with Plus-Minus screws
- Integrated electric shock protection, IP10
- Nominal frequency 50 – 60 Hz
- Insulation class E (other classes on request)
- Thermal rated short-term current $I_{th} = 60 \times I_N/1s$
- Rated surge current $I_{dyn} = 2.5 \times I_N$
- Maximum operating voltage $U_m = 0.72 \text{ kV}^{*1}$
- Rated insulation level (test voltage) $3 \text{ kV} / 1 \text{ min}^{*1}$
- Over-current limit factor FS5 or FS10
- Maximum conductor cross-section: $2.5 \text{ } \varnothing$ solid, $1.5 \text{ } \varnothing$ flexible



Dimension diagrams

All dimensions in mm



Technical data

Summation current transformer, class 1							
Type	Primary current in A	Secondary current in A	Power in VA	Transformation ratio	Dimensions in mm (H x W x D)	Weight (kg)	Item no.
IPS20	5+5	5	15	1:1	115 x 45 x 73	0.4	15.02.510
IPS30	5+5+5	5	15	1:1:1	115 x 45 x 73	0.4	15.02.515
IPS40	5+5+5+5	5	15	1:1:1:1	115 x 45 x 73	0.5	15.02.520
IPS20	1+1	1	15	1:1	115 x 45 x 73	0.5	09.05.306
IPS30	1+1+1	1	15	1:1:1	115 x 45 x 73	0.5	09.05.316
IPS40	1+1+1+1	1	15	1:1:1:1	115 x 45 x 73	0.5	09.05.326

Summation current transformer, class 0.5							
Type	Primary current in A	Secondary current in A	Power in VA	Transformation ratio	Dimensions in mm (H x W x D)	Weight (kg)	Item no.
IPS20	5+5	5	15	1:1	115 x 45 x 73	0.5	15.02.511
IPS30	5+5+5	5	15	1:1:1	115 x 45 x 73	0.5	15.02.516
IPS40	5+5+5+5	5	15	1:1:1:1	115 x 45 x 73	0.5	15.02.519

Not useable in combination with cable split core.

*1 Other voltages on request.