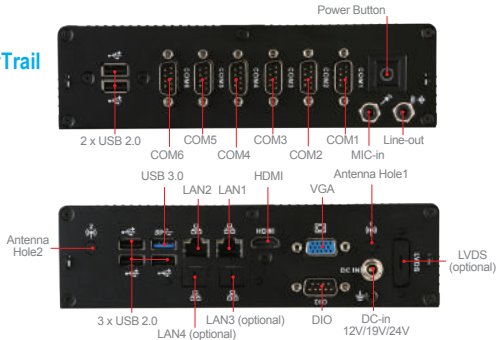


# MS-9A69

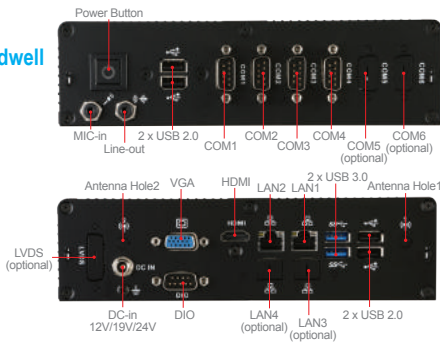
Compact-Size Box PC with Intel® BDW ULT or Bay Trail-D Series Processor for Ultra Low-Power Fanless Solution



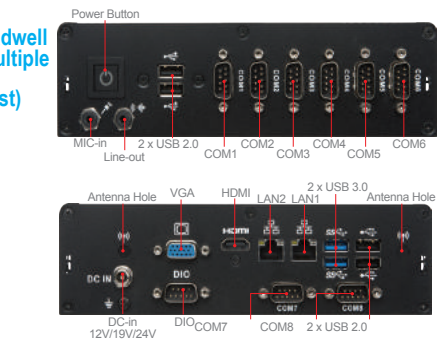
MS-9A69 with BayTrail



MS-9A69 with Broadwell



MS-9A69 with Broadwell 8 COM ports for multiple connection (Support by Request)



## Features

- Ultra low power with fanless design
- Supports DDR3L 1333/1600 MHz SO-DIMM memory up to 8GB
- 2 or 3 independent displays: HDMI, VGA and LVDS (BDW only)
- Dual GbE LAN, rich USB and COM ports
- Dual Mini-PCIe for expansion
- Supports DC-in 12V/19V/24V
- 2 openings reserved for antennas

## Ordering Information

Part Number	Description
Please check MSI IPC website at <a href="http://ipc.msi.com">http://ipc.msi.com</a> for details.	

## Packing List

Part Number	Description
Please check MSI IPC website at <a href="http://ipc.msi.com">http://ipc.msi.com</a> for details.	

## Specifications

<b>System Processor</b>	CPU	Intel® Celeron® Processor J1900, QC, 10W	Intel® BDW ULT Core™ i3-5010U Processor, DC, 15W
	Frequency	2 GHz	2.1 GHz
	L2 Cache	2MB	3MB
	CPU Type	BGA	BGA
	Chipset	Integrated in SoC Process	Integrated in Process
	BIOS	AMI	
<b>Memory</b>	Technology	Single-channel DDR3L 1333 MHz	Single-channel DDR3L 1600 MHz
	Max. Capacity	Up to 8GB	
	Socket	1 x 204-pin SO-DIMM	
<b>Graphic</b>	Controller	Intel® HD Graphics	
	Graphic Memory	Shared system memory up to 1.7 GB SDRAM	
	Multiple Display	2 or 3 independent displays	
	Display Interface	VGA up to 2560 x 1600 @60Hz HDMI up to 1920 x 1080 @60Hz LVDS up to 1920 x 1200 @60Hz (optional)	VGA up to 1920 x 1200 @60Hz HDMI up to 1920 x 1080 @60Hz LVDS up to 1920 x 1200 @60Hz (optional)
<b>Ethernet</b>	Controller	2 x Intel® I210-AT GbE LAN	1 x Intel® I210-AT GbE LAN 1 x Intel® I218-LM GbE LAN PHY
	<b>Audio</b>	Controller	Realtek® ALC887-VD2-CG HD Audio Codec
<b>H/W Monitor</b>	Watchdog Timer	256-level Watchdog Timer	
<b>TPM</b>	Controller	N/A	
<b>Expansion Slot</b>	M.2	N/A	
	Mini-PCIe	2 x Full-size (one w/ mSATA)	1 x Full-size (w/ mSATA) 1 x Half-size
<b>Storage</b>	SATA	1 x 2.5" HDD/SSD Bay	
	mSATA	1 x Full-size (Shared with Mini-PCIe)	
<b>I/O Interface</b>	RJ-45	4 (optional 2 x RJ-45 version available)	
	PoE	N/A	
	Audio	1 x Line-out / 1 x Mic-in	
	USB	1 x USB 3.0 4 x USB 2.0	2 x USB 3.0 4 x USB 2.0
	Serial	6 x COM ports COM1: RS-232/422/485, 0V/5V/12V COM2-6: RS-232, 0V/5V/12V	4 x COM ports COM1: RS-232/422/485, 0V/5V/12V COM2-4: RS-232, 0V/5V/12V
	GPIO	8-bit (4*GPI; 4*GPO), 5V	
	CANbus	2 x CAN 2.0B (by BOM option)	
	HDMI	1	
	LVDS	1 (optional)	
	VGA	1	
	Antenna	2 openings reserved for antennas	
	DC Input	DC-in 12V/19V/24V	
	AC Input	N/A	
	<b>Power Supply</b>	IP Rating	N/A
Operating Temperature		-10 ~ 45°C (HDD) -10 ~ 55°C (SSD or mSATA)	
Operating Humidity		10 ~ 90%, non-condensing	
Storage Temperature		-20 ~ 80°C	
Storage Humidity		10 ~ 90%, non-condensing	
<b>Environment</b>	Vibration	Operating: 0.25 Grms, 5-300Hz, 3axes (w/ HDD)	
	Shock	Operating: 3 G, half sine 11 ms duration (w/ HDD)	
	Dimensions (WxDxH)	200 x 150 x 55mm	
<b>Physical characteristics</b>	Weight	1.38 kg	
	Mounting	Wall mount (STD)/VESA mount (by BOM option)/DIN-rail mount (by BOM option)	
	<b>Certification</b>	EMC	FCC, CE, RCM, VCCI, BSMI
<b>Software Platform</b>	OS Support	Windows 7 (32/64-bit) Windows 8.1 (32/64-bit) Windows 10 (32/64-bit) Linux Fedora 20 (by request) Linux Ubuntu 13.10 (by request)	Windows 7 (32/64-bit) Windows 8.1 (32/64-bit) Windows 10 (64-bit) Linux Fedora 19 (by request) Linux Ubuntu 13.04 (by request)
		Safety	BSMI

## Optional Item

Part Number	Description
E22-9A95080-C22	VESA Mount

Semi-rugged Terminal  
POS System  
Panel PC  
HMI  
Embedded System  
Board  
COM Express Board  
Oseven Board  
Pico-ITX Board  
3.5" Board  
EPIC Board  
PICMG 1.0 Board  
Mini-ITX Board  
Micro-ATX Board  
ATX Board  
Mini-PCIe Module