

VX-601

Quick Start Guide



What's in the box?

Before you start to setup VX-601, please verify that your product package contains the following items:

1. VX-601 vehicle mount computer
2. Bare wire power cable with DC-IN connector

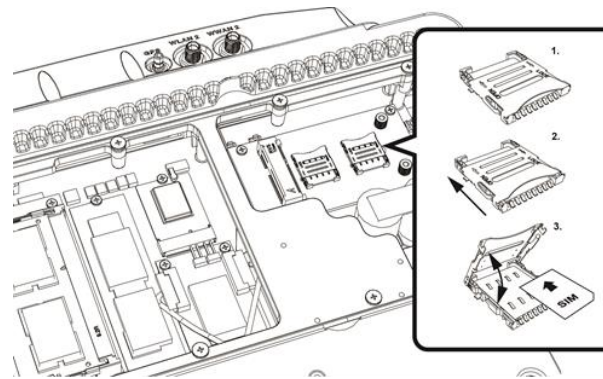
Note: Be sure to keep the original packaging in case you need to return the VX-601 for service

Install the SIM Card

VX-601 provides dual micro SIM slots, located inside the service door. Install the SIM card in SIM 1 slot or SIM 2 slot. You can select different SIM slot via the SIM slot assignment option in uPanel interface. The factory default is SIM 1 slot.

Install the SIM Card

Internal SIM slot

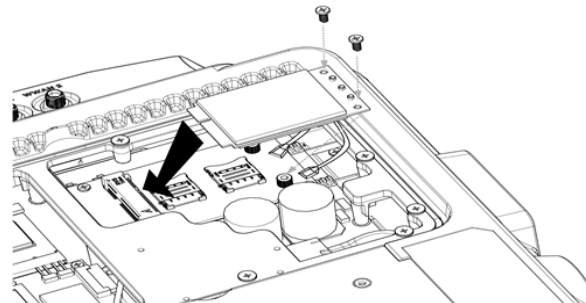


Please follow the instructions to install your SIM card:

1. Slide to unlock the lock on the locking lid.
2. Lift the locking lid up and insert your SIM card.
3. Lock the locking lid back after insertion.

Install the Radio Card

VX-601 supports dual Mini PCIe slots in full size for radio card installation. One is USB signal for WWAN card and the other includes PCIe and USB signal for Wi-Fi and Bluetooth combo card.



Install the Radio Card

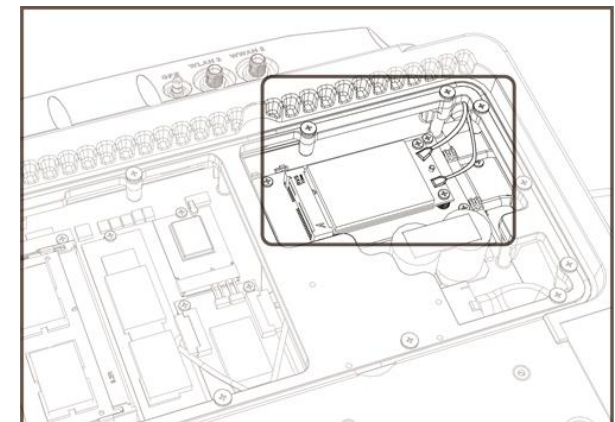
Please follow the instructions to install your radio card:

1. Place the radio card on top of the SIM slot.
Note: Make sure the WWAN antennas are on top of the radio card.
2. Lock the two screws into screw hole.
3. Tighten the bolts.

How to install external WWAN Antenna

To use the WWAN module you need to manually connect the antenna cable. Please follow the instructions below.

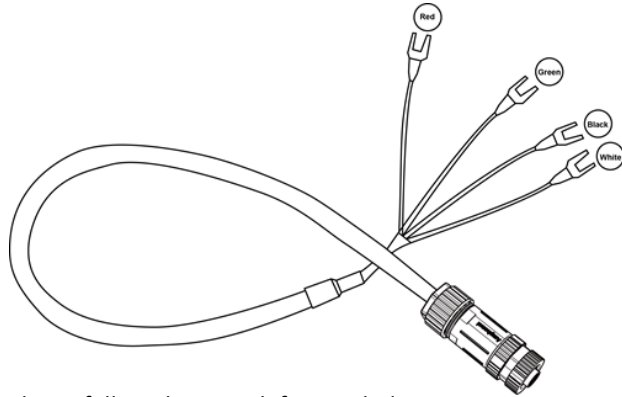
1. Locate the antenna cables. (black cable & grey cable)
2. Use the black antenna (WWAN 1, WLAN 1) cable and connect to the connector labeled **MAIN**. Use the grey antenna cable (WWAN 2, WLAN 2) to connect to the connector labeled **AUX**.



Connector Power

VX-601 allows a wide range of DC power input from 9~60V via a 4-pin circular power code.

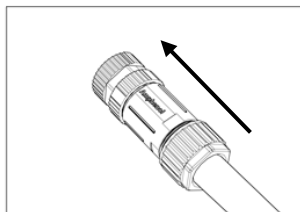
1. The bare wire lead cable allows you to directly wire 12 V, 24 V, 36V and 48V power cable or adapters.



Please follow the wire definition below to connect to your power source.

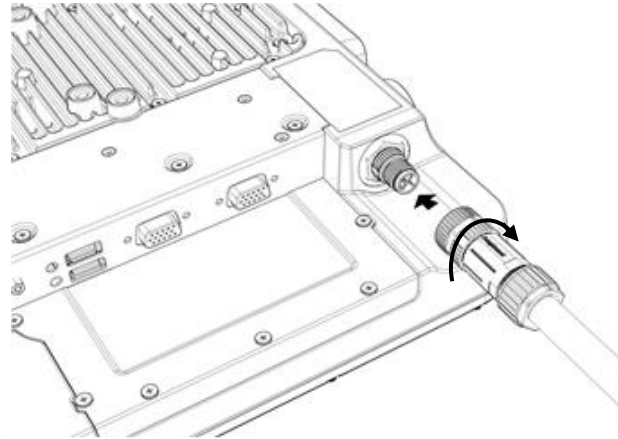
Wire Color	Description
RED	V+
BLACK	V-
GREEN	Chassis Ground
WHITE	ACC/ Ignition

2. Plug the power code into the power connector facing the top of the arrow mark.



Connector Power

3. Twist the nut to lock the power connector to the device.



Power on The System

VX-601 has two power modes for user preference which can be activated through DashON. If you want to use power source via power adapter, please disable "ACC Input Detection".

To turn on the system, please follow the directions below:

1. Press power button to turn on the system
2. When VX-601 is in "Non-ACC mode", the device will not auto power off when the power supply is removed (charged from UPS battery instead), please use windows command to fully shut down the device.

Power on The System

3. When VX-601 is in "ACC Sense Mode", please follow the directions below:
 - When the system is Off, switch the ignition from Off to On, the system will turn on/delay on.
 - When the system is Off and the ignition is Off, press the power button, the system will be turn On/no delay on.
 - When System is Off and the ignition is On, press the power button, the system will be turn on/no delay on.



Ensure that the power supplies are

disconnected when the power cord plug into the power connector.



Lithium Battery Safety Statement

Caution: Lithium battery inside. Danger of explosion if battery is incorrectly replaced. Replace only with same or equivalent type recommended by the battery manufacturer.

WARNING: Do not expose the battery to excessive heat source, such as Fire, direct sunlight, etc.

THIS PRODUCT CONTAINS LITHIUM-ION BATTERY PACKS. IT MUST BE DISPOSED PROPERLY. CONTACT YOUR LOCAL ENVIRONMENTAL AGENCIES FOR INFORMATION ON PROPER RECYCLING AND DISPOSAL.